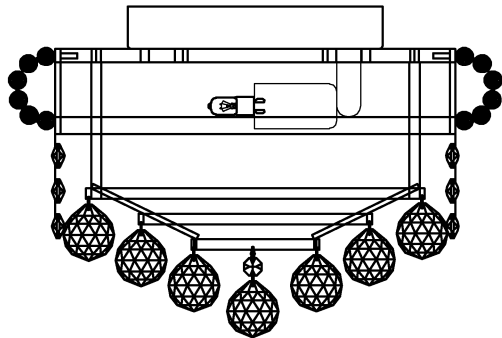


Trade Mark:  
CRYSTAL WORLD INC

Product Name: Ceiling lamp  
Model :8001C12G  
120Vac, 60Hz,AC ONLY  
Lamp size:Ø12"XH8"



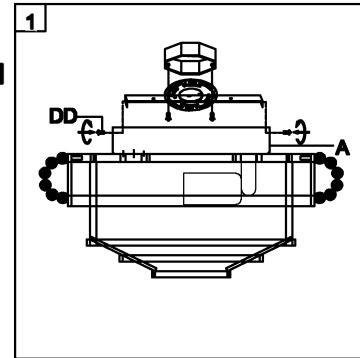
Intertek  
4006677

## CEILING LAMP ASSEMBLY INSTRUCTIONS





- Place fixture (A) onto Crossbar (EE).  
secure with Mounting screw (DD).  
Note:The fixture (A) should be installed  
with the sockets facing down.

### Hardware Used

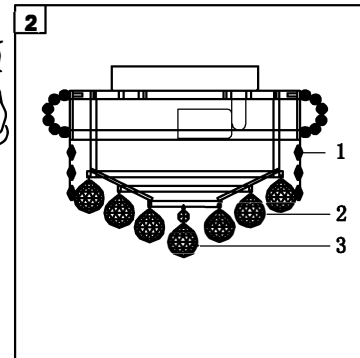
DD Mounting screw  X 2




- Please put the crystal (1) (2) (3) to the  
fixture .

1  14mm\*3pcs  
2  30mm\*1pcs  
3  14mm\*1pcs  
 30mm\*1pcs

45PCS    39PCS    1PCS



- Install light bulbs ( not included).  
Use bulb  
120V G9  4\*40W Max.

