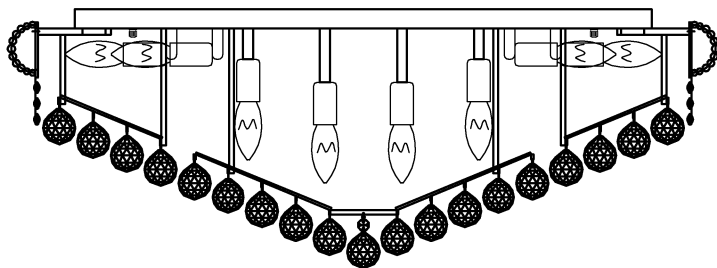


Trade Mark:
CRYSTAL WORLD INC

Product Name: Ceiling lamp
Model :8001C36C
120Vac, 60Hz,AC ONLY
Lamp size:Ø36"*H14"

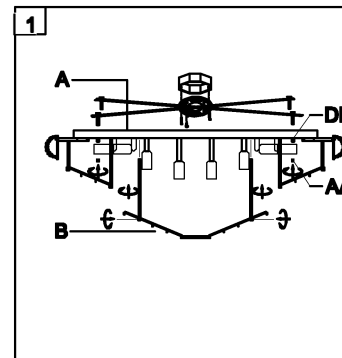


CEILING LAMP ASSEMBLY INSTRUCTIONS





1. Place fixture(A) onto mounting screws (DD).secure with cap nuts (AA).
2. Please fix (B) with (A).

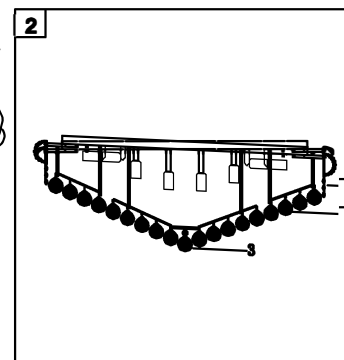
Hardware Used


AA Cap nut  X 6
DD Mounting screw  X 6



2. Please put the crystal(1) (2) (3) to the fixture .

1  14mm*3PCS 164PCS
2  40mm*1PCS 284PCS
3  14mm*1PCS 1PCS
 40mm*1PCS



3. Install light bulbs (not included).
Use bulb  20*40W Max.

