

Assembly Instruction Sheet #IS-8001P36C

For Style 8001P36C

Tools Required: Flathead screwdriver, Phillips screwdriver, pliers, wire cutters, wire strippers, electrical tape, safety glasses.

Light Source: (34) Candelabra Base Bulbs 60W Maximum.

Estimated Assembly Time: 20-30 minutes

Preparation: Identify and inspect all parts before beginning installation. Check package content list and diagrams below to be sure all parts are present. If any parts are missing or damaged, do not attempt to assemble, install, or operate the fixture. Contact customer service for replacement parts.

⚠ Warnings and Cautions

Turn off electricity at circuit breaker or main fuse box before installation. Consult a licensed electrician if in doubt. These instructions are provided for your safety. It is very important you read them completely before installing the fixture. We strongly recommend that a licensed, professional electrician perform the installation. Disconnect fixture from power source before replacing bulbs. Make sure bulbs are given sufficient time to cool before removal.

STEP 1 - Install top and bottom tier together.

A. Connect the Rod I tightly with Bottom frame body J by the fastening the screw, and put the pipe H into the connecting pipe I. Thread the lead wire onto the Rod I and one end of the lead wire come out from the pipe bottom, then connect the wires like Picture A. Put the Top plate D into the Pipe H, and the Bottom plate C onto the Middle frame body G.

Thread the Rod I onto the Middle frame body G and tighten them together. The other end of the lead wire thread onto the Bottom plate D, the Top plate C, the Pipe, Middle frame body G.

B. Connect the Rod F tightly with Middle frame body G by fastening the screw. And put the pipe E into the connecting Rod F. Thread the power cord onto the Rod F and one end of the power cord come out from the pipe bottom to connect with the lead wire which come out from the top of Rod I like Picture B. Put the top plate D into the pipe H, and the Bottom plate C onto the Top frame body B. Thread the Rod F onto the Top frame body B then connect them by fastening the screw and the loop A. Then fix the chain and the canopy accordingly.

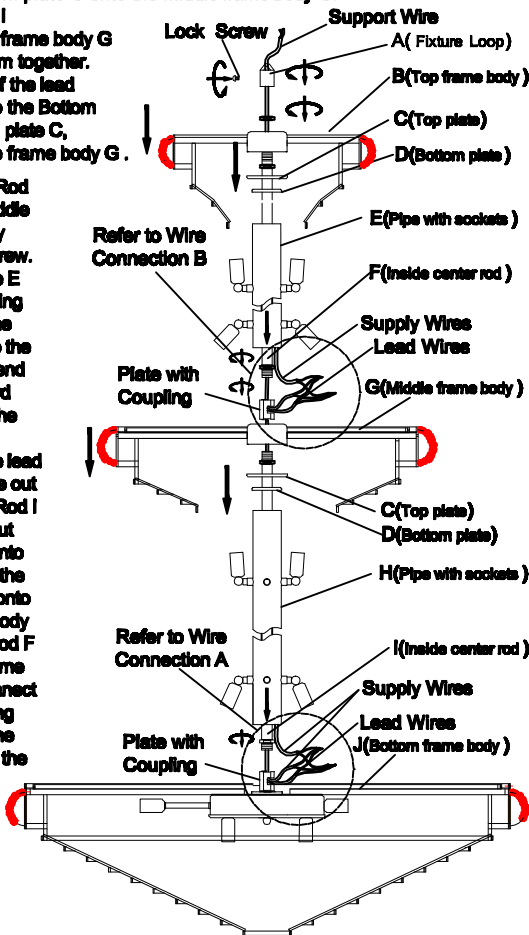


Figure 1

WIRE CONNECTIONS IN JUNCTION BOX

(Step 1 Continued) Wire Nut

Smooth side of supply wire identified with the label "L" + Wire Nut + Smooth side of wire from Support Arms identified with the label "L"

Ribbed side of supply wire identified with the label "N" + Wire Nut + Ribbed side of wire from Support Arms identified with the label "N"

WIRE CONNECTIONS A

Wire Nut + Smooth side of supply wire identified with the label "L" + Smooth side of wire from Support Arms identified with the label "L"

Ribbed side of supply wire identified with the label "N" + Wire Nut + Ribbed side of wire from Support Arms identified with the label "N"

WIRE CONNECTIONS B

STEP 2 - Install the Crossbar to the Ceiling

A. Attach the round crossbar to the outlet box and secure the outlet box screws by hand tighten. Place the crossbar with hook to the ceiling and make (4) marks from the holes of the crossbar on the ceiling for anchors. Remove the crossbar and drill proper holes from the (4) marks for anchors. Insert anchors into drilled holes properly. Place crossbar, flat washers and spring washers onto the anchors and secure with hex nuts. Hand tighten until snug with plier.

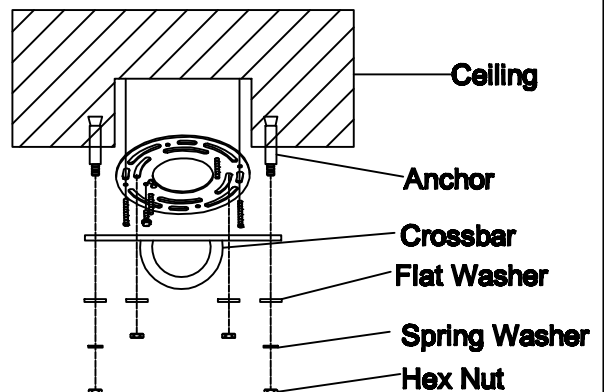


Figure 2

STEP 3 - Install Chain System and Fixture Body together

A. Remove the bolt from the quick connector. Place the quick connector onto the chain link of the bottom end of chain system. Place the fixture loop inside the quick connector. Thread the bolt back to the quick connector and the fixture loop. Hand tighten until snug to connect the chain system to the fixture.

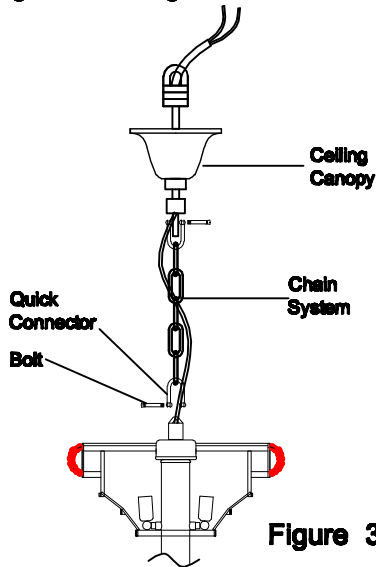


Figure 3

STEP 4 - Install Fixture to Crossbar

A. Feed the supply wires and ground wire through the canopy chain loop and nipple into the outlet box. Cut the wire leaving approximately 8" of the wire extending from the outlet box. Then go to picture C for wire connections and follow up the directions. Return to Step 5 when complete the wire connection.

B. Raise the ceiling canopy and canopy lock ring up the fixture chain and over the canopy chain loop. Tighten the canopy lock ring onto the canopy chain loop until tight.

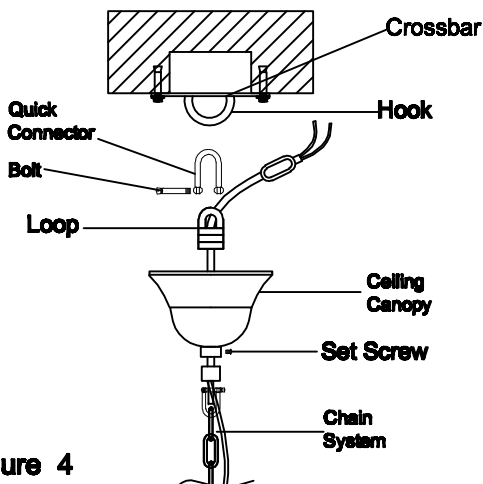


Figure 4

STEP 5 - Making the Wire Connections

A. Use standard wire connectors (not included) to make all wire connections. Twist connectors until wires are tightly joined together. Wrap each connection with approved electrical tape and carefully stuff all the connected wires into outlet box.

Note: If the electrical wire is going to be cut shorter than provided you will need to identify the "L" line wire and the "N" neutral wire before you cut the excess wire off. One is labeled N and the other labeled L. To do this separate the "L" line wire and the "N" neutral wire as far as you need to. Re-label the wire near where you want to make the cut. Be sure to mark the wire on the side of the fixture and not on the excess wire being cut and removed.

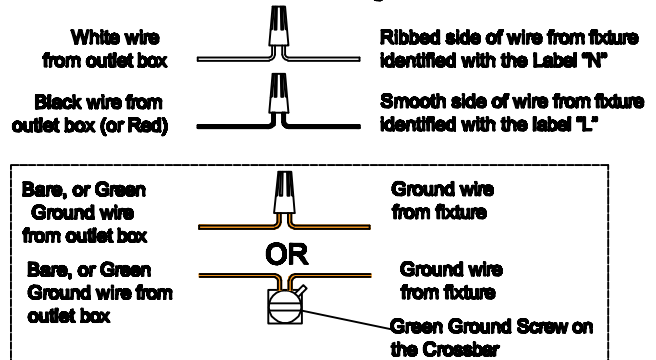


Figure 5

STEP 6 - Install Crystal Strings, Crystals and Bulbs.

- A. Attach Crystal Strings A onto the top tier.
- B. Attach Crystal Strings B and C onto the bottom of the top tier and the top edge of the bottom tier.
- C.(Refer to CRYSTAL DISTRIBUTION) Attach Crystals A and B to the bottom tier.
- D.Install bulbs onto sockets and push snugly into place.

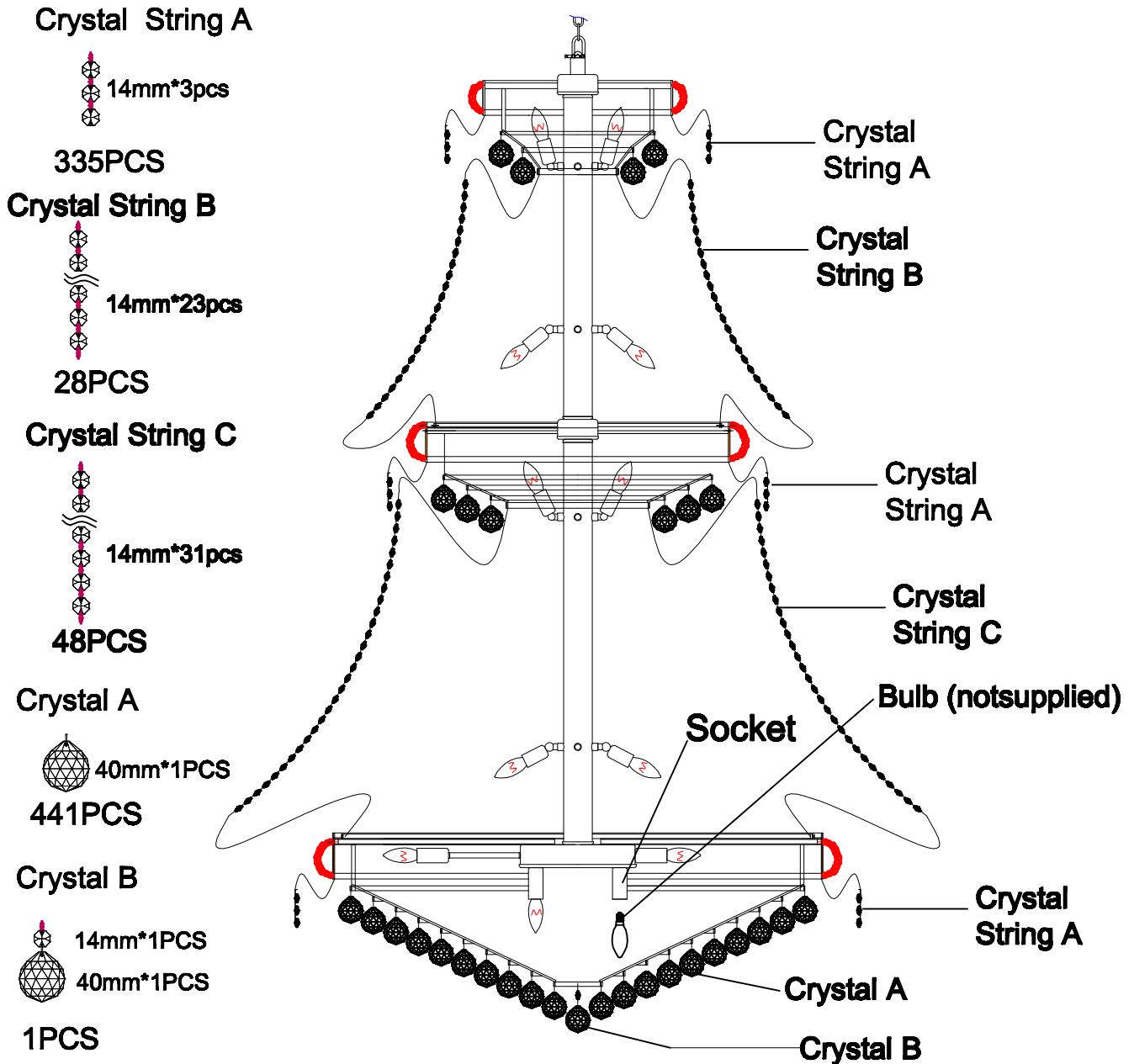


Figure 6