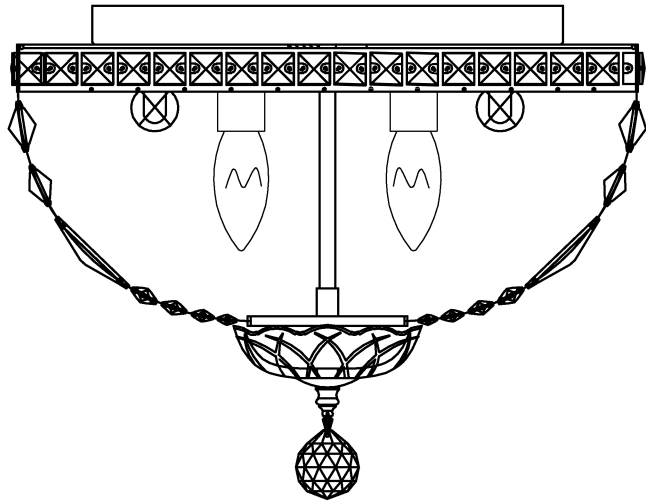


Trade Mark:
CRYSTAL WORLD INC

Product Name: Ceiling lamp
Model :8003C16C
120Vac, 60Hz,AC ONLY
Lamp size:Ø16"XH12"

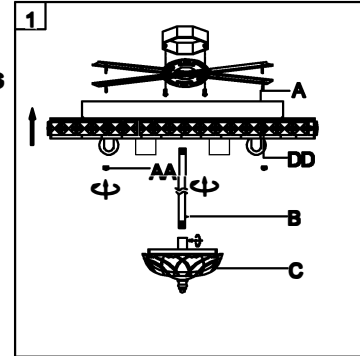


CEILING LAMP ASSEMBLY INSTRUCTIONS









1. Place screw (C) onto (B).
2. Place screw (B) onto fixture(A).
3. Place fixture(A) onto mounting screws (DD).secure with cap nuts (AA).

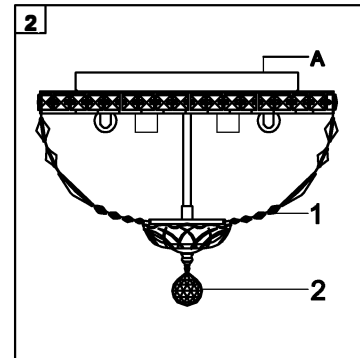
Hardware Used


AA Cap nut  X 4
DD Mounting screw  X 4



2. Please put the crystal(1) (2) to the fixture (A) .

1  32mm*1PCS
 2  40mm*1PCS
 1PCS
 1  28mm*1PCS
 1  63mm*1PCS
 1  18mm*1PCS
 1  18mm*1PCS
 1  14mm*1PCS
 1  12mm*1PCS
 35PCS



3. Install light bulbs (not included).
Use bulb  5*40W Max.

