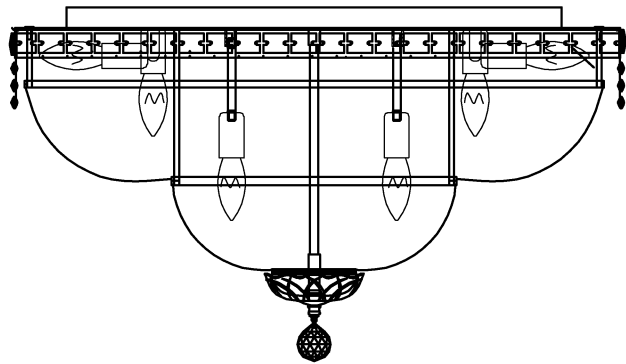


Trade Mark:  
CRYSTAL WORLD INC

Product Name: Ceiling lamp  
Model :8003C30C  
120Vac, 60Hz,AC ONLY  
Lamp size:Ø30"XH17"

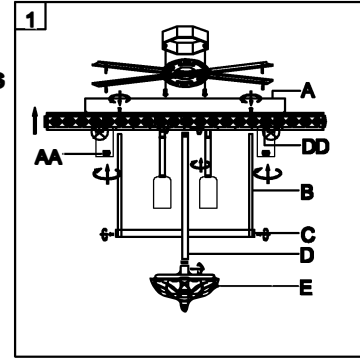


## CEILING LAMP ASSEMBLY INSTRUCTIONS

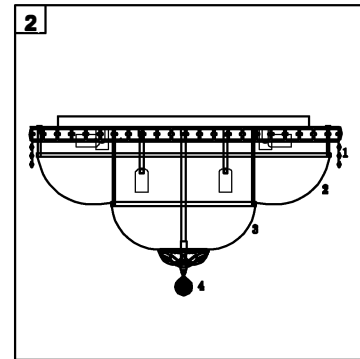
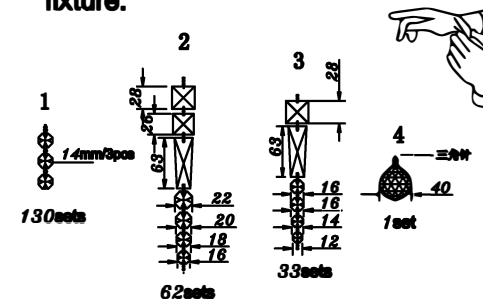
- 1.Place screw (B) onto (A).
- 2.Place screw (E) onto (D) .
- 3.Place screw (D) onto (A) .
- 4.Place fixture(A) onto mounting screws (DD).secure with cap nuts (AA) .


### Hardware Used

- AA Cap nut  X 4  
DD Mounting screw  X 4



- 2.Please put the crystal(12,3,4) to the fixture.



- 3.Install light bulbs ( not included).  
Use bulb  120V E12 16\*40W Max.

