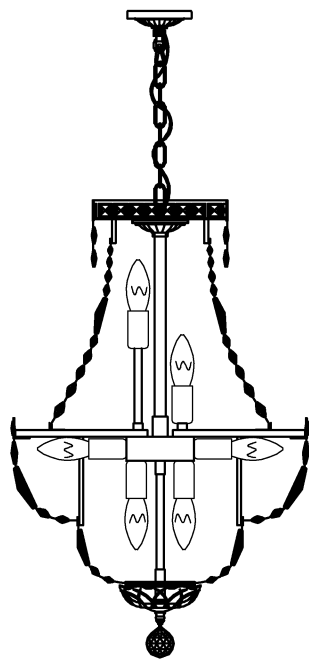



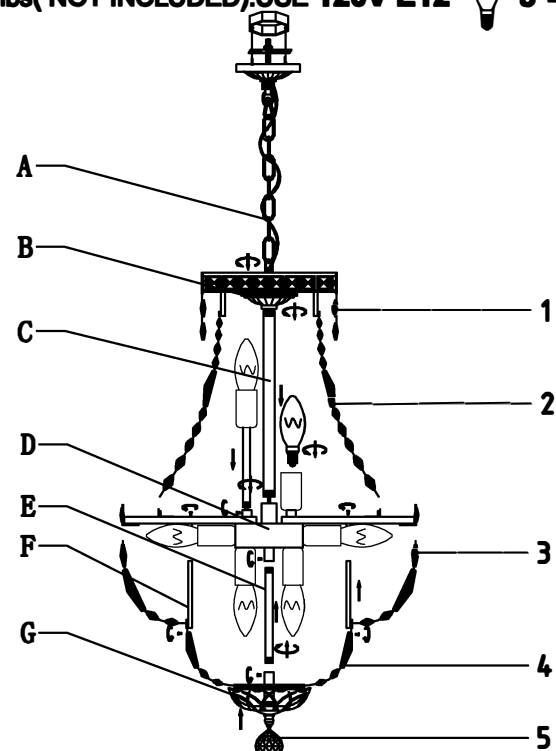
Trade Mark:
CRYSTAL WORLD INC





Product Name: Pendant lamp
Model :8003P18C
120Vac, 60Hz,AC ONLY
Lamp Size:Ø18"X26"H










PENDANT LAMP ASSEMBLY INSTRUCTIONS







- 1.Screw part (G) onto the part (E) secure with screw.
- 2.Screw part(E) and (F) onto the lampbody(D) secure with screw.
- 3.Screw part(B) onto (C) and (C) onto (D) secure with screw.
- 4.Please fix (A) with (B).
- 5.Please wear gloves when you hanging the crystal.
- 6.Install bulbs(NOT INCLUDED),USE 120V E12  8*40W Max.



- | | | | | |
|--|--|--|--|---|
| <p>1
 24mm*2PCS
22PCS</p> | <p>2
 12mm*1PCS
 14mm*1PCS
 16mm*2PCS

  50mm*1PCS
 18mm*1PCS
 20mm*2PCS

  22mm*1PCS
 24mm*1PCS
30PCS</p> | <p>3
 32mm*1PCS
 63mm*1PCS

  20mm*1PCS
 18mm*1PCS
39PCS</p> | <p>4
 50mm*1PCS
 16mm*1PCS
 14mm*1PCS
28PCS</p> | <p>5
 40mm*1PCS
1PCS</p> |
|--|--|--|--|---|