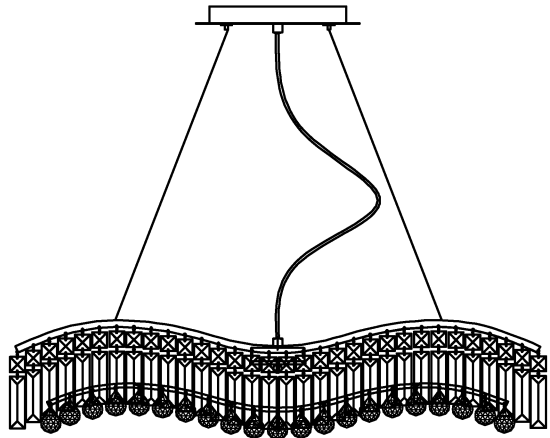


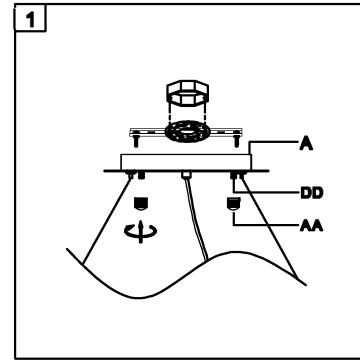
Trade Mark:
CRYSTAL WORLD INC

Product Name: Pendant lamp
Model :8004P30C-A
120Vac, 60Hz,AC ONLY
Lamp Size:L30**W5**48"H



PENDANT LAMP ASSEMBLY INSTRUCTIONS


1.Place fixture(A)onto mounting screws (DD),secure with cap nuts (AA).




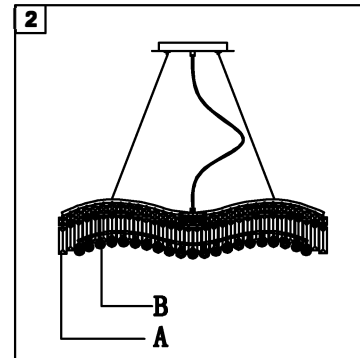
Hardware Used


AA Cap nut  X 2
DD Mounting screw  X 2

2.Please hang the crystal(A) (B) to the fixture .

A  22mm*1PCS
76mm*1PCS
68PCS

B  30mm*1PCS
42PCS



3.Install light bulbs (not included).
Use bulb
120V E12  5*40W Max.

