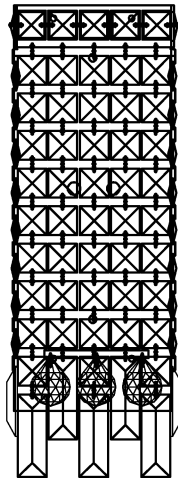


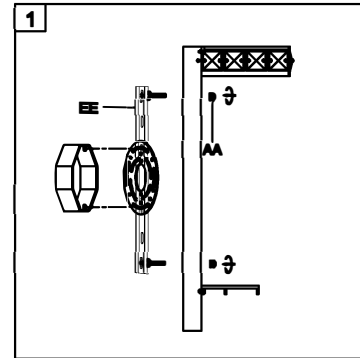
Trade Mark:
CRYSTAL WORLD INC

Product Name: Wall lamp
Model :8031W5C
120Vac, 60Hz,AC ONLY
Lamp Size:W5"xH12"xE5"



WALL LAMP ASSEMBLY INSTRUCTIONS

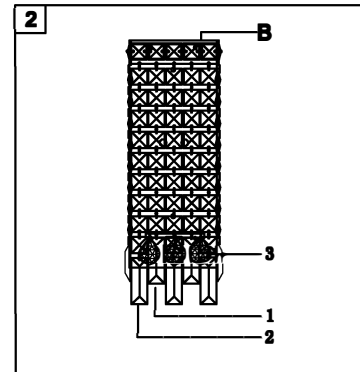
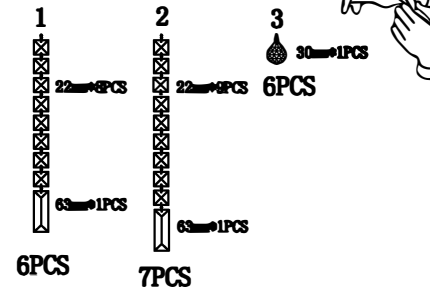
1.Place fixture(A) onto crossbar (EE).
Secure with cap nuts (AA).



Hardware Used

AA Cap nut ☺ X 2

2.Please hang the crystal(1) (2) (3) to
the fixture (B).



3.Install light bulbs (not included).
Use bulb
120V E12 ☺ 2*40W Max.

