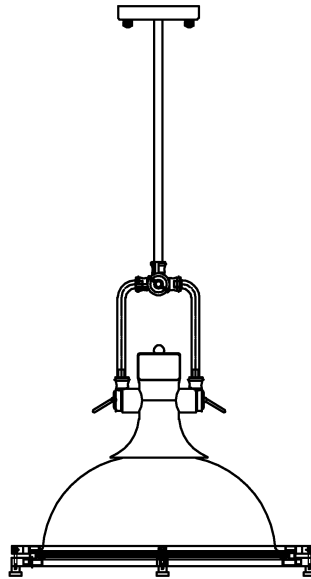


Trade Mark:  
CRYSTAL WORLD INC

Product Name: Pendant lamp  
Model :9602P16-1  
120Vac, 60Hz,AC ONLY  
Lamp Size:D16"\*H20"~H79"



  
Intertek  
4006677

## PENDANT LAMP ASSEMBLY INSTRUCTIONS

1. Please fix part(A) with part(B).
2. Please fix part(D,E) with part(C).
3. Install bulbs ( NOT INCLUDED).USE 120V E26  1\*60W Max.

