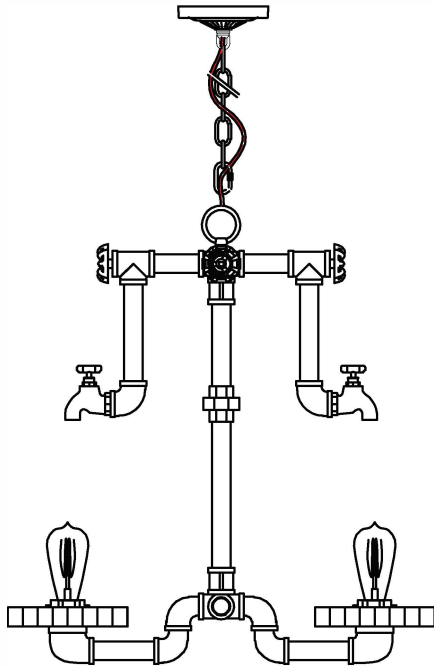


Trade Mark:  
CRYSTAL WORLD INC

Product Name: Pendant lamp  
Model :9724P23-4-210  
120Vac, 60Hz,AC ONLY  
Lamp Size:φ23\*H22"



## PENDANT LAMP ASSEMBLY INSTRUCTIONS

1. Install bulbs (NOT INCLUDED). USE 120V E12  4\*60W Max.

