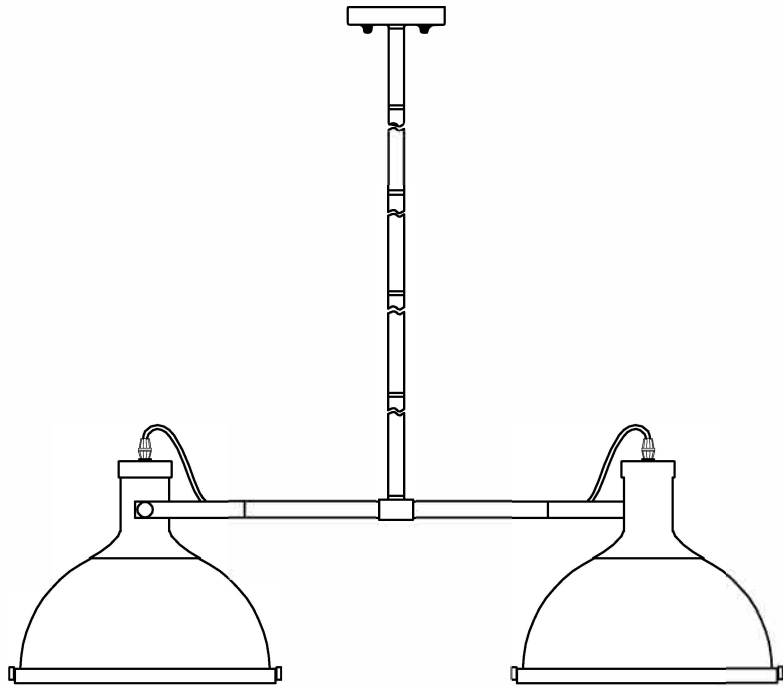


Product Name: Pendant lamp
Model :9760P37-2-101
120Vac, 60Hz,AC ONLY
Lamp Size:W12L37**H10"**

Trade Mark:
CRYSTAL WORLD INC



PENDANT LAMP ASSEMBLY INSTRUCTIONS

1. Install bulb(NOT INCLUDED).USE 120V E26  2*60W Max.

