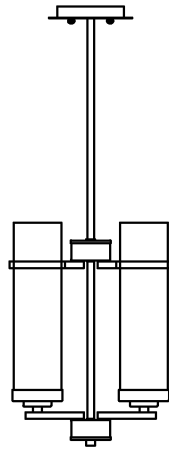


Trade Mark:
CRYSTAL WORLD INC

Product Name: Pendant lamp
Model :9827P11-2-101
120Vac, 60Hz,AC ONLY
Lamp Size: Ø11*H16"

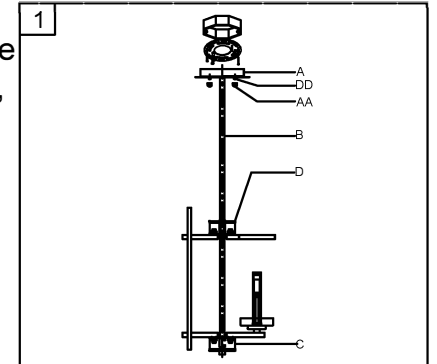


PENDANT LAMP ASSEMBLY INSTRUCTIONS

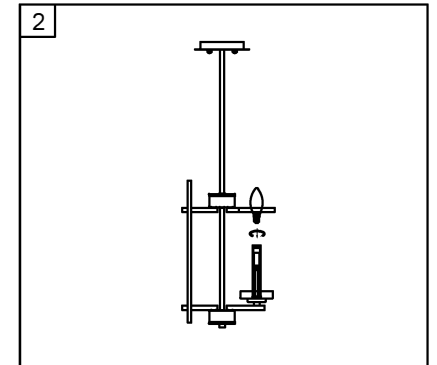
1. Place fixture (A) onto mounting screws (DD). Secure with cap nuts (AA). Please fix (A) with (B). (B) with (D), (C) with (D),

Hardware Used

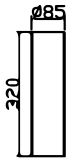
AA Cap nut		X 2
DD Mounting screw		X 2



2. Install light bulbs (not included).
Use bulb
120V E12 2*40W Max.



3. Install glass shade

 Ø85
320
8pcs
Ø85*H320*T2.0MM

