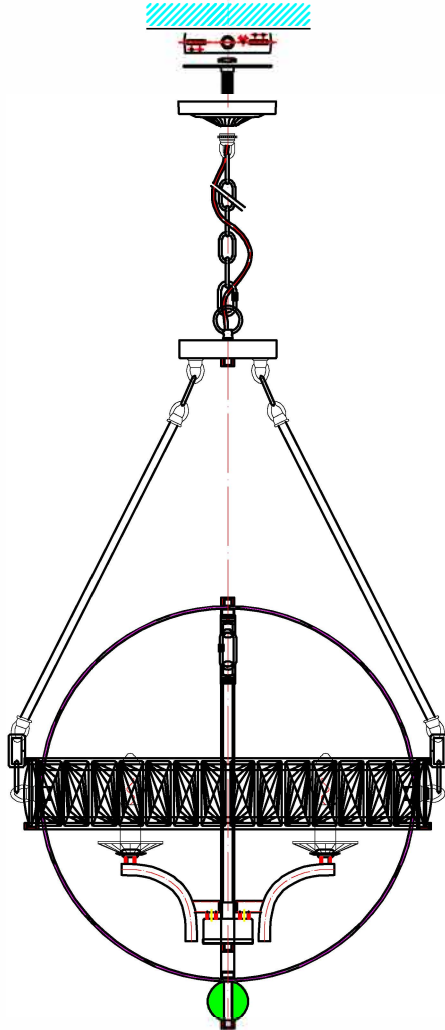


Product Name: Pendant lamp  
Model :9957P20-4-101  
120Vac, 60Hz,AC ONLY  
Lamp Size:D20"\*H34"-H92"

Trade Mark:  
CRYSTAL WORLD INC

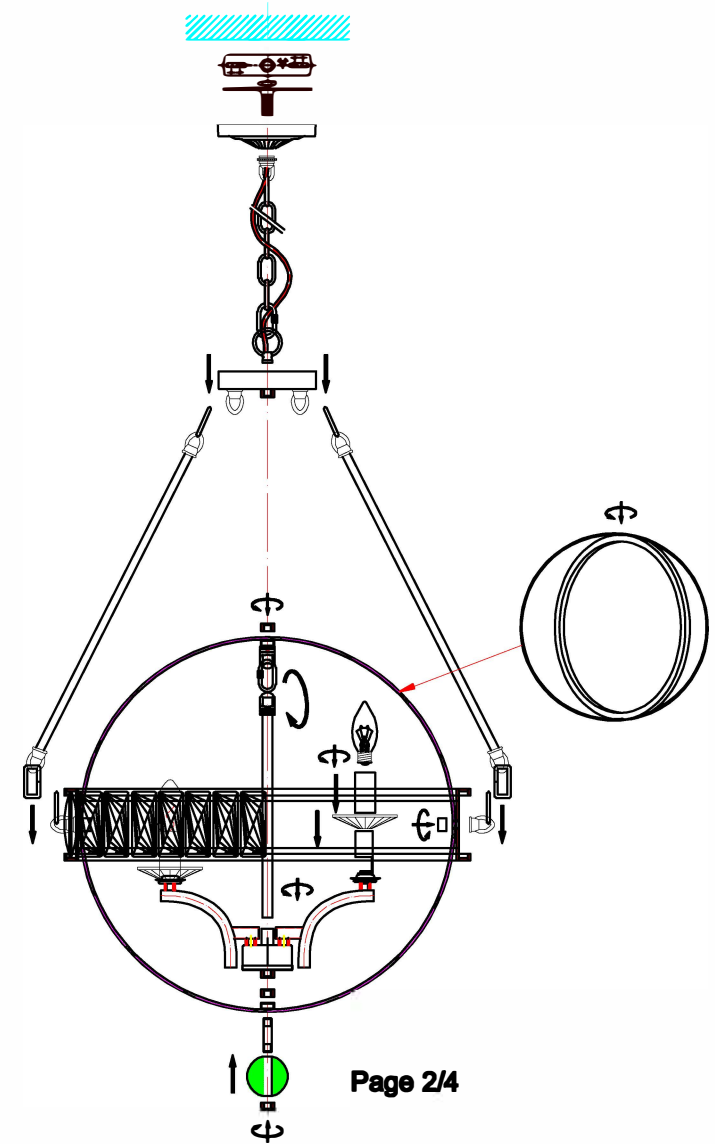


Page 1/4



## PENDANT LAMP ASSEMBLY INSTRUCTIONS

1. Install bulbs (NOT INCLUDED). USE 120V E12 4\*40W Max.



Page 2/4