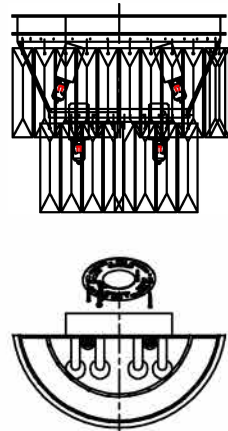


Trade Mark:
CRYSTAL WORLD INC

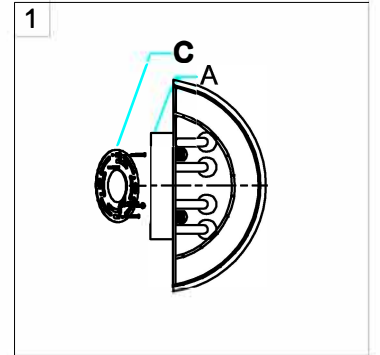
Product Name: Wall lamp
Model :9969W10-4-601
120Vac, 60Hz,AC ONLY
Lamp Size:W10**H9**E5"




C US
Intertek
4006677

WALL LAMP ASSEMBLY INSTRUCTIONS

1. Please fix (C) with (A) .



2. Install bulbs (NOT INCLUDED).
USE
120V G9  4*40W Max.

