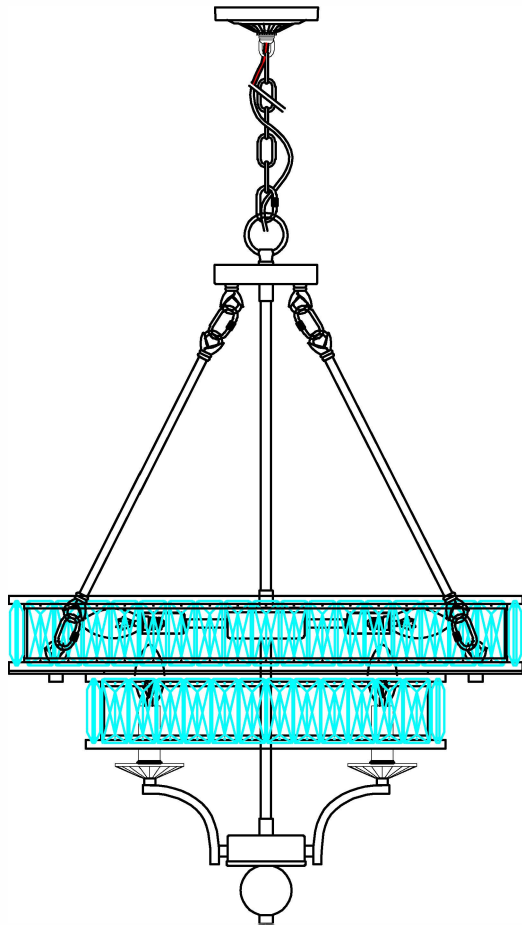


Product Name: Pendant lamp
Model :9972P23-8-101
120Vac, 60Hz,AC ONLY
Lamp Size:D23**L23**H30"-H92"

Trade Mark:
CRYSTAL WORLD INC




C Intertek US
Intertek
4006677

PENDANT LAMP ASSEMBLY INSTRUCTIONS

1. Install bulbs (NOT INCLUDED). USE 120V E12  8*60W Max.

