

CWI LIGHTING

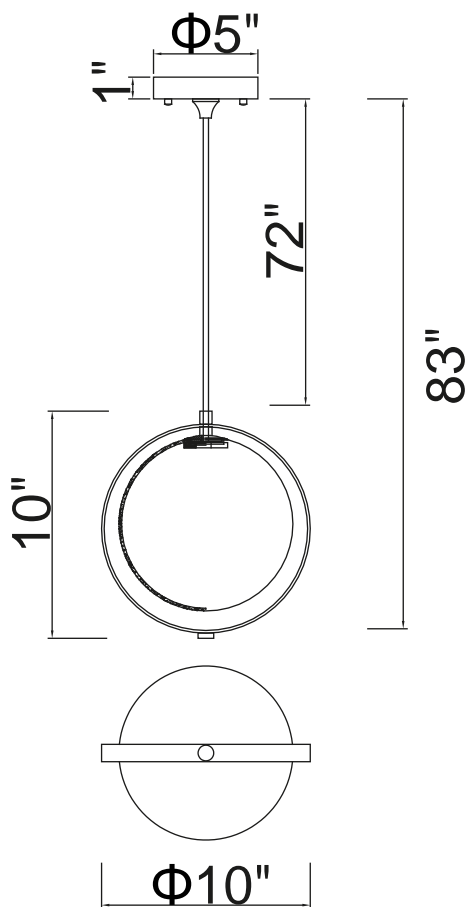
BRIGHTER LIVING. SIMPLIFIED.

PROJECT: _____

FIXTURE TYPE: _____

LOCATION: _____

CONTACT/PHONE: _____



Item	1153P10-1-169
Collection	DA VINCI
Finish	Medallion Gold
Glass	Frosted
Crystal	-----
Input	120V AC,60HZ,AC

Shade	-----
Length/Dia.	10"
Width/Ext.	-----
Height	10"
Maximum	83"
Lumens	-----

Light Source	G9
Bulb Info.	1x40W
Included	-----
Dimmable	No
Color	-----
Weight	