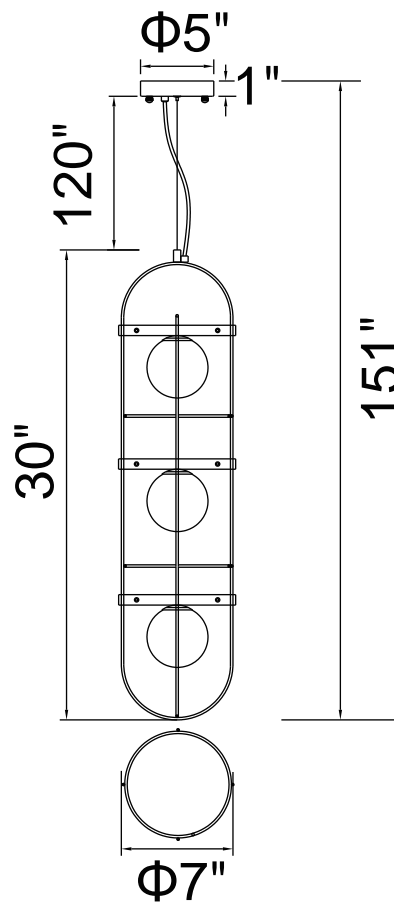


PROJECT: _____

FIXTURE TYPE: _____

LOCATION: _____

CONTACT/PHONE: _____



| | |
|------------|-----------------|
| Item | 1209P7-3-169 |
| Collection | ORBIT |
| Finish | Medallion Gold |
| Glass | Frosted |
| Crystal | ----- |
| Input | 120V AC,60HZ,AC |

| | |
|-------------|-------|
| Shade | ----- |
| Length/Dia. | 7" |
| Width/Ext. | 7" |
| Height | 30" |
| Maximum | 151" |
| Lumens | ----- |

| | |
|--------------|--------|
| Light Source | LED G9 |
| Bulb Info. | 3x5W |
| Included | ----- |
| Dimmable | Yes |
| Color | ----- |
| Weight | |