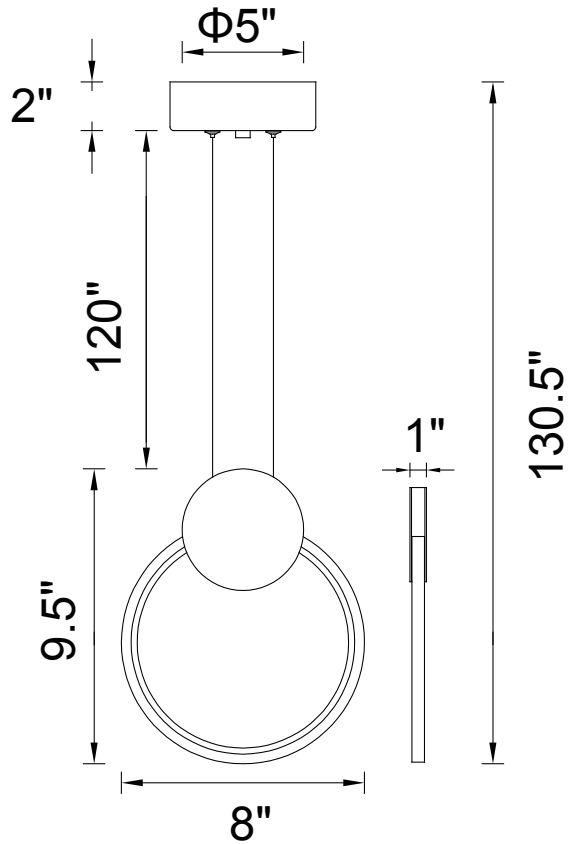




PROJECT: _____
 FIXTURE TYPE: _____
 LOCATION: _____
 CONTACT/PHONE: _____



| | |
|------------|-----------------|
| Item | 1297P8-1-602 |
| Collection | |
| Finish | Stain Gold |
| Glass | ----- |
| Acrylic | White |
| Input | 120V AC,60HZ,AC |

| | |
|-------------|--------|
| Shade | ----- |
| Length/Dia. | 8" |
| Width/Ext. | 1" |
| Height | 9.5" |
| Maximum | 130.5" |
| Lumens | 312 |

| | |
|--------------|-------|
| Light Source | LED |
| Bulb Info. | 6W |
| Included | ----- |
| Dimmable | Yes |
| Color | 3000K |
| Weight | |