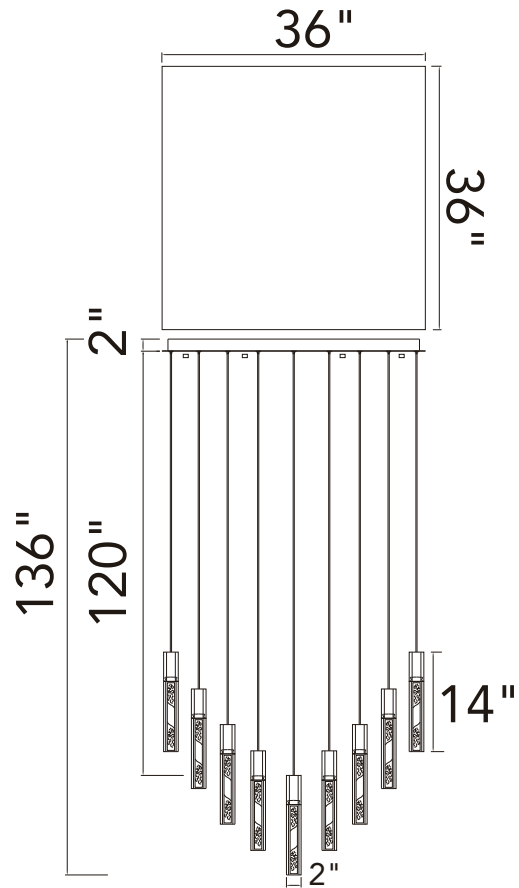




PROJECT: _____
 FIXTURE TYPE: _____
 LOCATION: _____
 CONTACT/PHONE: _____



| | |
|------------|----------------|
| Item | 1589P36-41-101 |
| Collection | GRETA |
| Category | Chandelier |
| Finish | Black |
| Glass | Clear |
| Crystal | ----- |
| Acrylic | ----- |

| | |
|-----------------------|-----------------|
| Shade Color | ----- |
| Min Assembled Height | 16" |
| Max Assembled Height | 136" |
| Width | 36" |
| Length | 36" |
| Extension Wall Mounts | ----- |
| Input | 120V AC,60HZ,AC |

| | |
|--------------|-----------|
| Lumens | 9880 |
| Light Source | LED |
| Bulb Info. | 190W |
| Included | ----- |
| Dimmable | Yes |
| Colour Temp | 3000K |
| Weight | 95.304Lbs |

CWI Lighting
 2775 Broadway
 Buffalo, NY 14227
 USA

CWI Lighting
 140 Steelcase Rd. W.
 Markham ON. L3R 3J9
 Canada

Dallas Showroom
 Showroom #: 3327
 2100 N. Stemmons Frwy.
 Dallas, TX 75207

Email: info@cwilighting.com
 Toll: 1-877-564-6034
www.cwilighting.com

