

# CWI LIGHTING

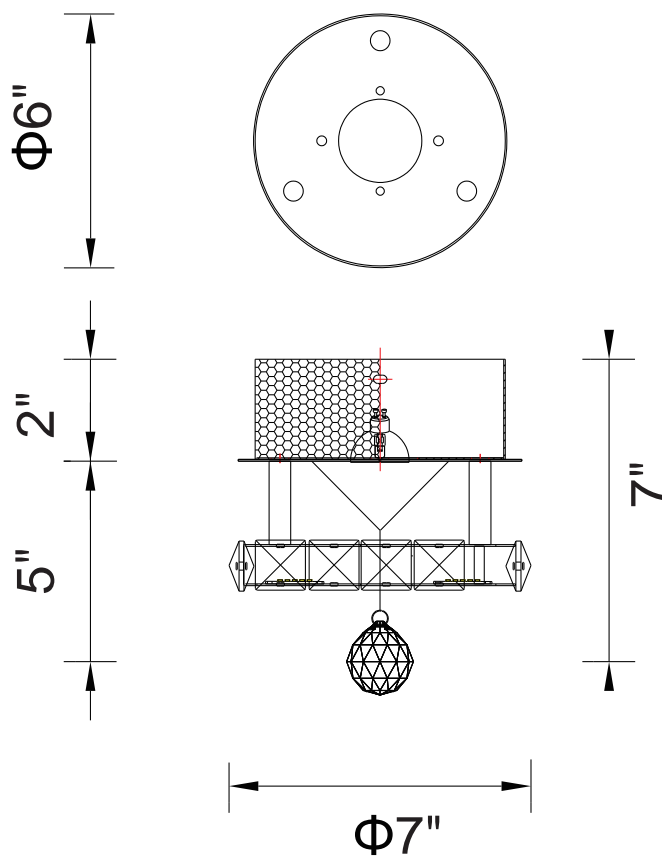
BRIGHTER LIVING. SIMPLIFIED.

PROJECT: \_\_\_\_\_

FIXTURE TYPE: \_\_\_\_\_

LOCATION: \_\_\_\_\_

CONTACT/PHONE: \_\_\_\_\_



Item	5080C7ST
Collection	RING
Finish	Stainless Steel
Glass	-----
Crystal	Clear
Input	120V AC,60HZ,AC

Shade	-----
Length/Dia.	7"
Width/Ext.	-----
Height	7"
Maximum	-----
Lumens	-----

Light Source	LED+GU10
Bulb Info.	6W+1x35W
Included	-----
Dimmable	No
Color	-----
Weight	-----