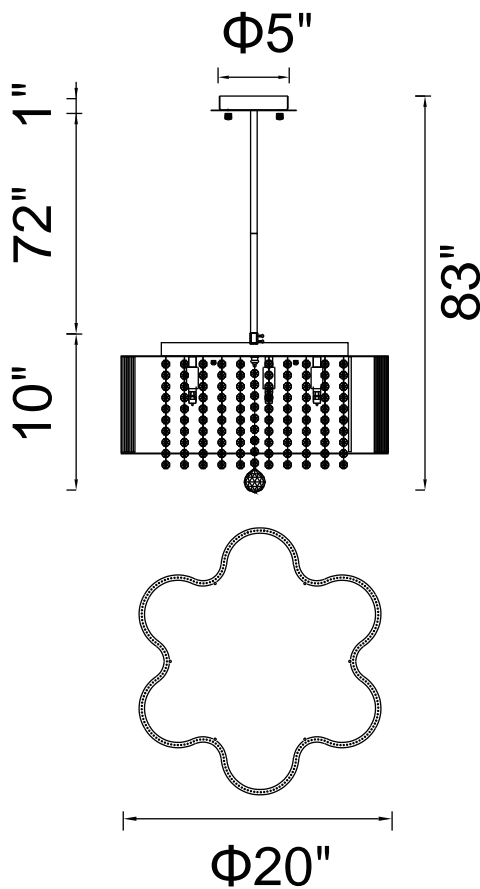




PROJECT: _____
 FIXTURE TYPE: _____
 LOCATION: _____
 CONTACT/PHONE: _____



Item	5319P20C
Collection	SPRING MORNING
Finish	Chrome
Glass	Clear
Crystal	Clear
Input	120V AC,60HZ,AC

Shade	-----
Length/Dia.	20"
Width/Ext.	-----
Height	10"
Maximum	83"
Lumens	-----

Light Source	G9
Bulb Info.	7x40W
Included	-----
Dimmable	Yes
Color	-----
Weight	