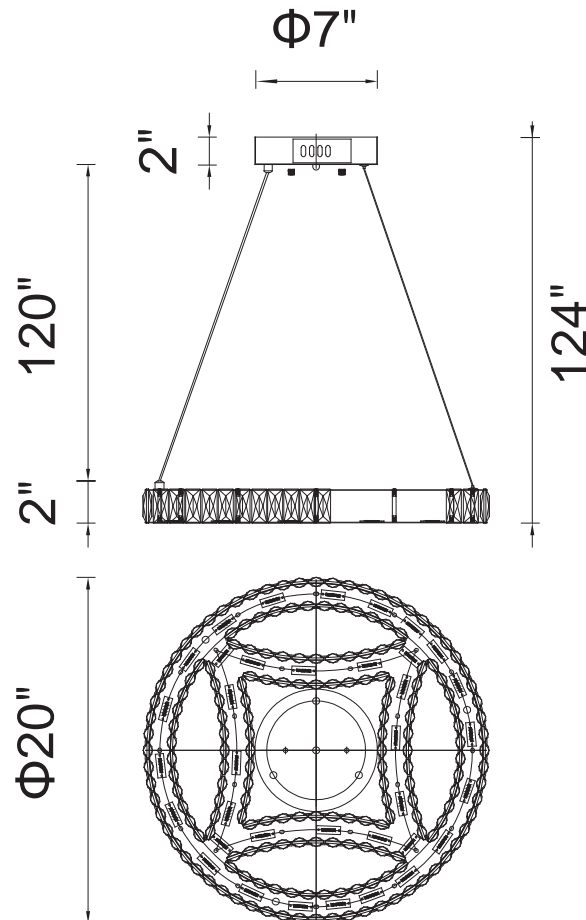


PROJECT: _____

FIXTURE TYPE: _____

LOCATION: _____

CONTACT/PHONE: _____



| | |
|------------|-----------------|
| Item | 5634P20ST-R |
| Collection | BEYOND |
| Finish | Stainless Steel |
| Glass | ----- |
| Crystal | Clear |
| Input | 120V AC,60HZ,AC |

| | |
|-------------|-------|
| Shade | ----- |
| Length/Dia. | 20" |
| Width/Ext. | ----- |
| Height | 2" |
| Maximum | 124" |
| Lumens | 950 |

| | |
|--------------|-------|
| Light Source | LED |
| Bulb Info. | 25W |
| Included | ----- |
| Dimmable | Yes |
| Color | 4000K |
| Weight | |