

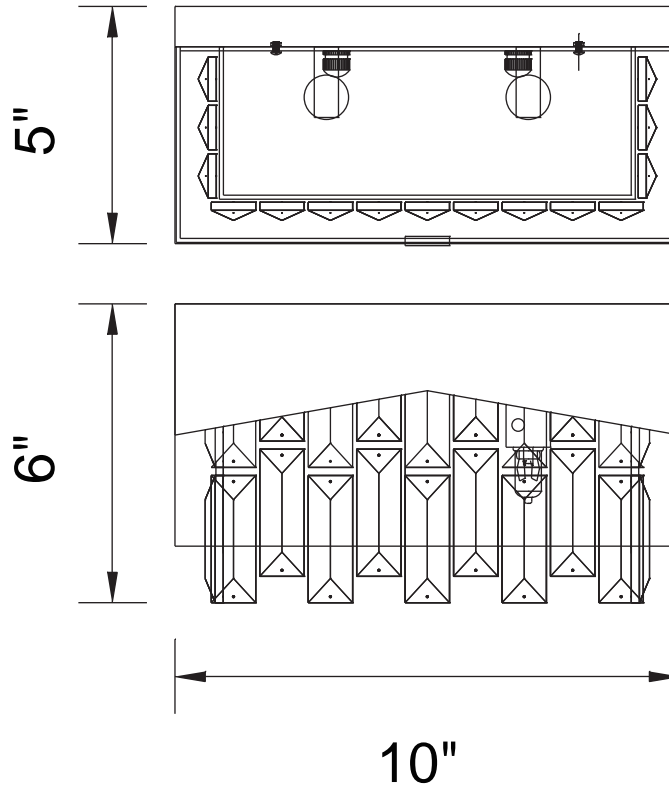


PROJECT: _____

FIXTURE TYPE: _____

LOCATION: _____

CONTACT/PHONE: _____



| | |
|------------|-----------------|
| Item | 5674W10C-W |
| Collection | HAVELY |
| Finish | Chrome |
| Glass | ----- |
| Crystal | Clear |
| Input | 120V AC,60HZ,AC |

| | |
|-------------|-------|
| Shade | ----- |
| Length/Dia. | 10" |
| Width/Ext. | 5" |
| Height | 6" |
| Maximum | 6" |
| Lumens | ----- |

| | |
|--------------|-------|
| Light Source | G9 |
| Bulb Info. | 2x40W |
| Included | ----- |
| Dimmable | Yes |
| Color | ----- |
| Weight | |

CWILIGHTING
www.cwilighting.com
Info@cwilighting.com

140 Steelcase Rd.W.
Markham ON. L3R 3J9 Canada
Tel: 905 940 4999
Toll: 1-877-564-6034
Fax: 905-940-0126
Toll Fax: 1-866-840-2796

Dallas showroom
Dallas Market Center
Showroom #: 3353
2100N. Stemmons Frwy.
Dallas, TX 75207

