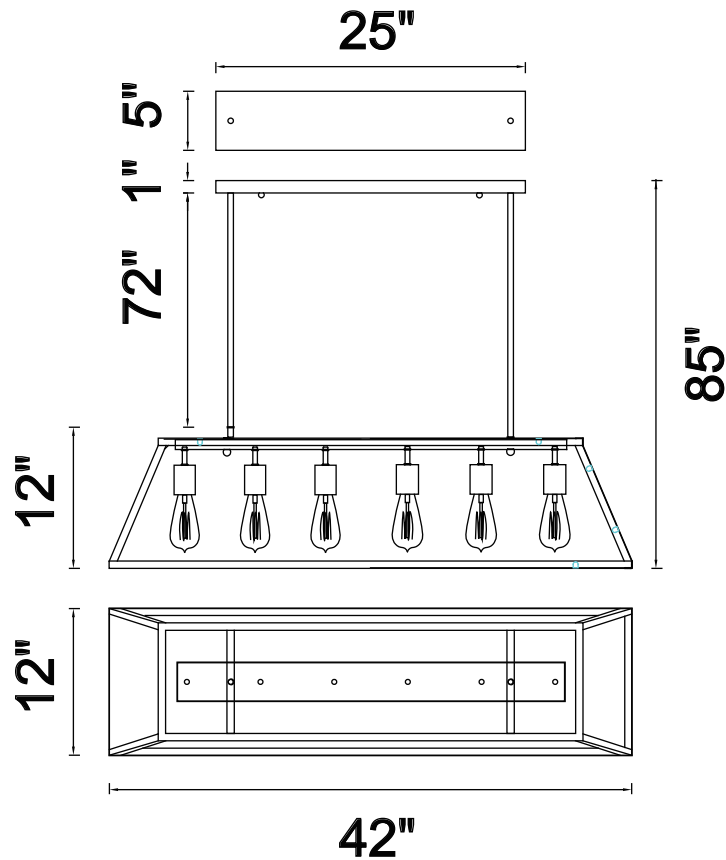




PROJECT: _____
 FIXTURE TYPE: _____
 LOCATION: _____
 CONTACT/PHONE: _____



| | |
|------------|-----------------|
| Item | 9601P42-6-101 |
| Collection | ALYSON |
| Finish | Black |
| Glass | Clear |
| Crystal | ----- |
| Input | 120V AC,60HZ,AC |

| | |
|-------------|-------|
| Shade | ----- |
| Length/Dia. | 42" |
| Width/Ext. | 12" |
| Height | 12" |
| Maximum | 85" |
| Lumens | ----- |

| | |
|--------------|-------|
| Light Source | E26 |
| Bulb Info. | 6x60W |
| Included | ----- |
| Dimmable | Yes |
| Color | ----- |
| Weight | |

