

CWI LIGHTING

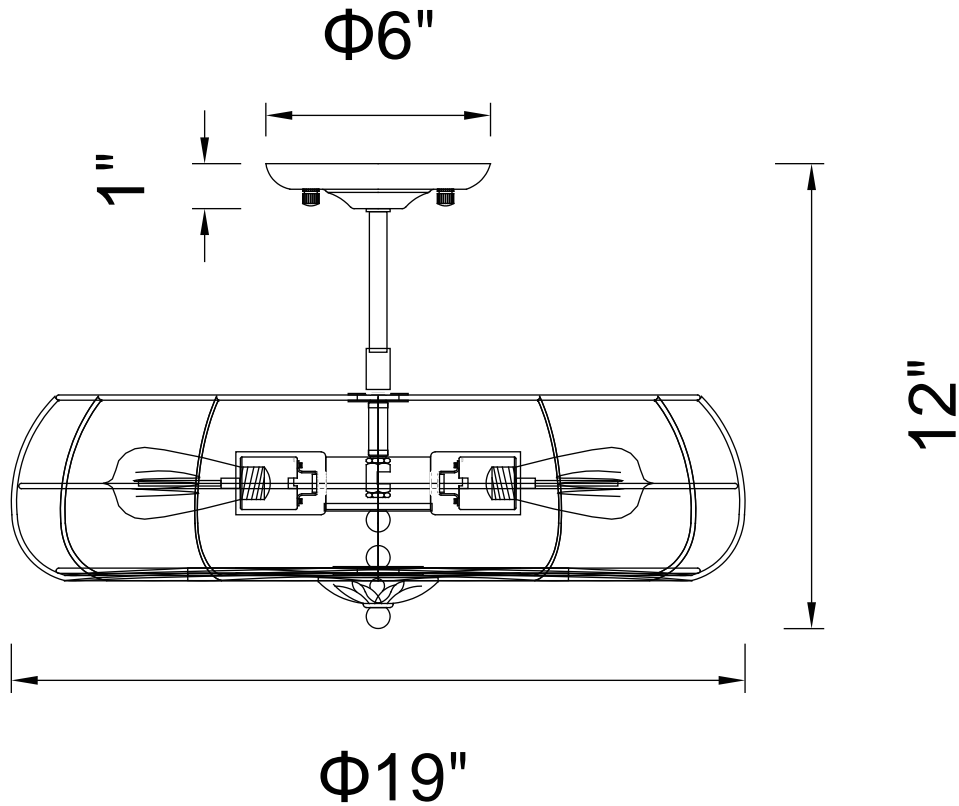
BRIGHTER LIVING. SIMPLIFIED.

PROJECT: _____

FIXTURE TYPE: _____

LOCATION: _____

CONTACT/PHONE: _____



Item	9606C19-5-101
Collection	PAMELA
Finish	Black
Glass	-----
Crystal	-----
Input	120V AC,60HZ,AC

Shade	-----
Length/Dia.	19"
Width/Ext.	-----
Height	12"
Maximum	12"
Lumens	-----

Light Source	E26
Bulb Info.	5x60W
Included	-----
Dimmable	No
Color	-----
Weight	