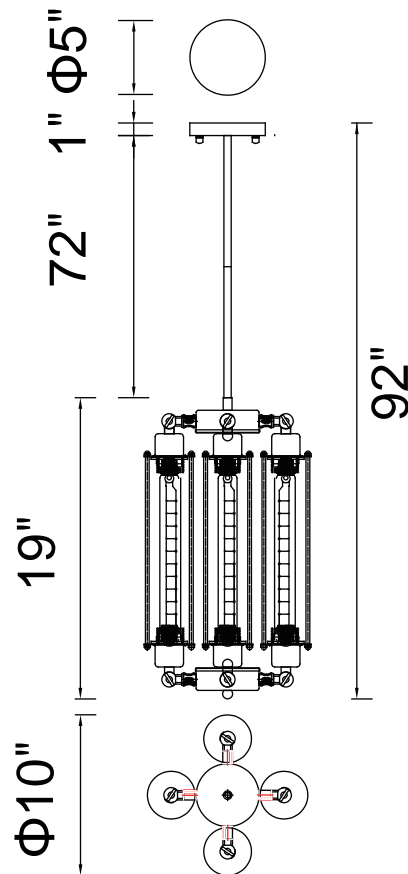


PROJECT: _____

FIXTURE TYPE: _____

LOCATION: _____

CONTACT/PHONE: _____



| | |
|------------|-----------------|
| Item | 9613P10-4-101 |
| Collection | PAMELA |
| Finish | Black |
| Glass | ----- |
| Crystal | ----- |
| Input | 120V AC,60HZ,AC |

| | |
|-------------|-------|
| Shade | ----- |
| Length/Dia. | 10" |
| Width/Ext. | ----- |
| Height | 19" |
| Maximum | 92" |
| Lumens | ----- |

| | |
|--------------|-------|
| Light Source | E26 |
| Bulb Info. | 4x60W |
| Included | ----- |
| Dimmable | Yes |
| Color | ----- |
| Weight | |