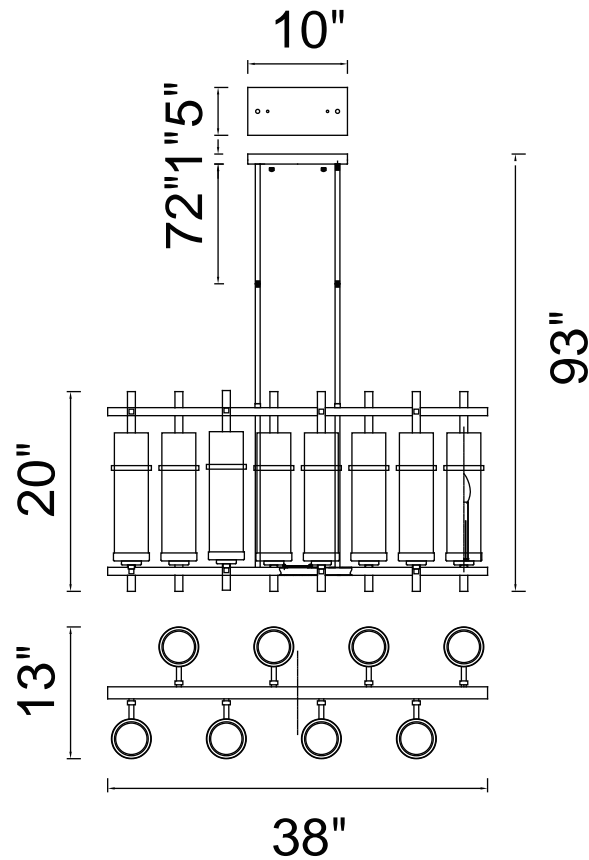


PROJECT: \_\_\_\_\_

FIXTURE TYPE: \_\_\_\_\_

LOCATION: \_\_\_\_\_

CONTACT/PHONE: \_\_\_\_\_



|            |                  |
|------------|------------------|
| Item       | 9827P38-8-RC-101 |
| Collection | SIERRA           |
| Finish     | Black            |
| Glass      | Clear            |
| Crystal    | -----            |
| Input      | 120V AC,60HZ,AC  |

|             |       |
|-------------|-------|
| Shade       | ----- |
| Length/Dia. | 38"   |
| Width/Ext.  | 13"   |
| Height      | 20"   |
| Maximum     | 93"   |
| Lumens      | ----- |

|              |       |
|--------------|-------|
| Light Source | E12   |
| Bulb Info.   | 8x60W |
| Included     | ----- |
| Dimmable     | Yes   |
| Color        | ----- |
| Weight       |       |