

# TITAN HB

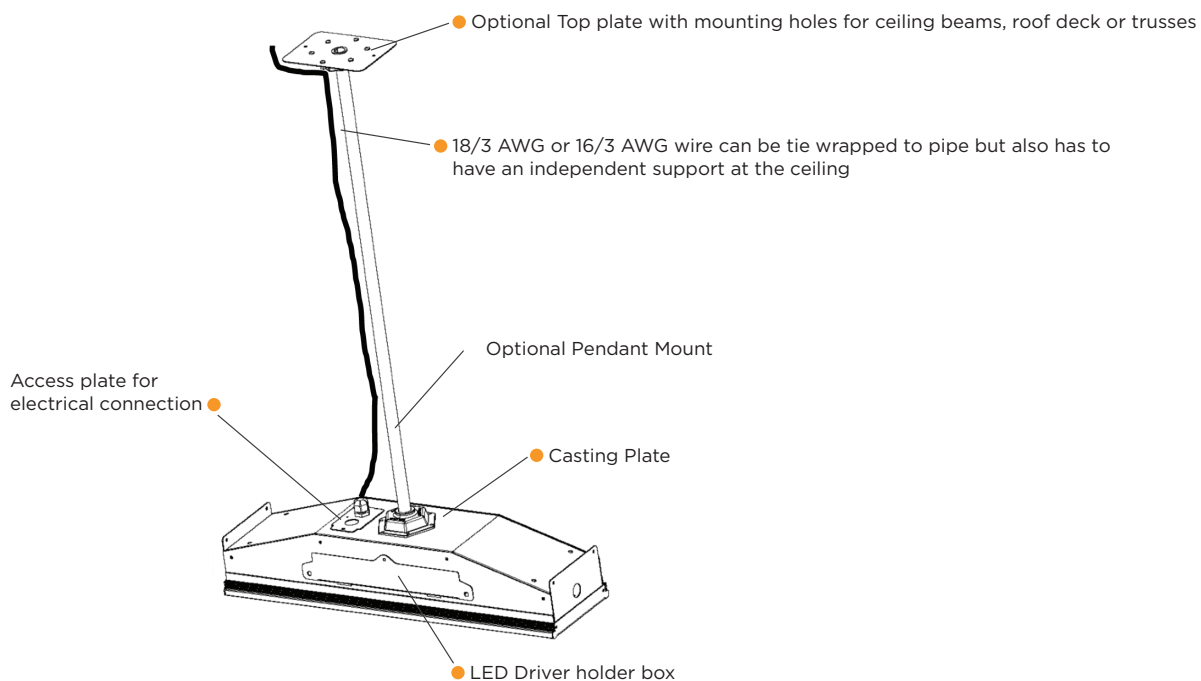
## INSTALLATION MANUAL

# TITAN HB

## INSTALLATION INSTRUCTIONS

**NOTE:** Follow the Electrical Codes of the Country where this fixture will be installed. For Canada follow the Canadian Electrical Code (CE) and for the United States follow the National Electrical Code (NEC). Failure to follow these instructions could result in electric shock or damage property. All wiring should also be performed by a qualified electrician. Check with local electrical authority for installation compliance regulations. Due to variations in roofing materials use these installation instructions as a guideline only.

### ● Pendant Mounting



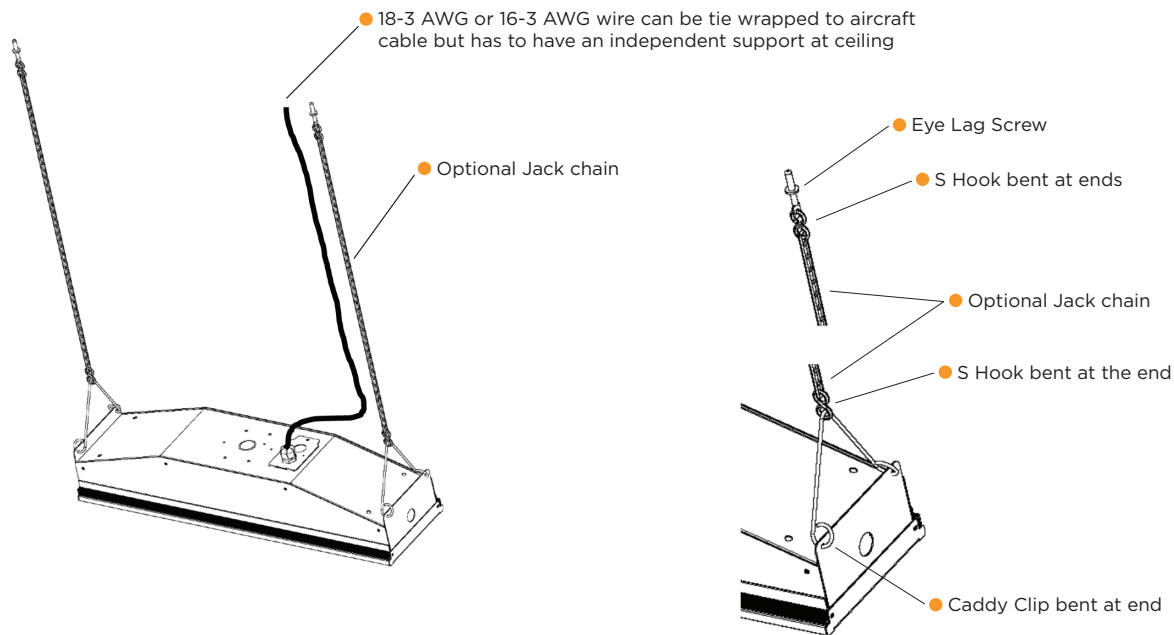
1. Disconnect the electrical power on the electrical panel prior to installing the High Bay fixture.
2. Place the High Bay fixture close to the junction box where the fixture will be installed and fasten the top plate (if needed) to the ceiling beams, trusses or roof deck using appropriate mounting screws - minimum size #12 self drilling screw. Then attach the 1/2" or 3/4" pipe to the High Bay fixture by turning the High Bay fixture clockwise onto the casting plate which is screwed to the top of the High Bay fixture.
3. Pull the existing 18/3 AWG or 16/3 AWG wire from the High Bay fixture into the junction box. Use a strain relief on the access plate if required. Connect the appropriate wires using wire nuts (black to black, white to white and green to ground wire). Ensure the ground wire is also grounded to the junction box using a ground screw. The 18/3 AWG or 16/3 AWG wire from the High Bay fixture can be tie wrapped to the pipe but also has to independently supported to the ceiling or roof. Check to see if the High Bay fixture is securely in place and that the pipe is properly attached to the ceiling and the fixture.
4. Ensure the High Bay fixture is connected to a timer, relay system, motion detector or switch so that it can be activated easily.
5. Check all connections for open loops and replace loose and or damaged wires.
6. Turn the electrical power on from the electrical panel.
7. Test the connection by turning on the timer, relay system, motion detector or light switch that the High Bay fixture is connected to.

# TITAN HB

## INSTALLATION INSTRUCTIONS

### ● Chain Mounting

● FIGURE A



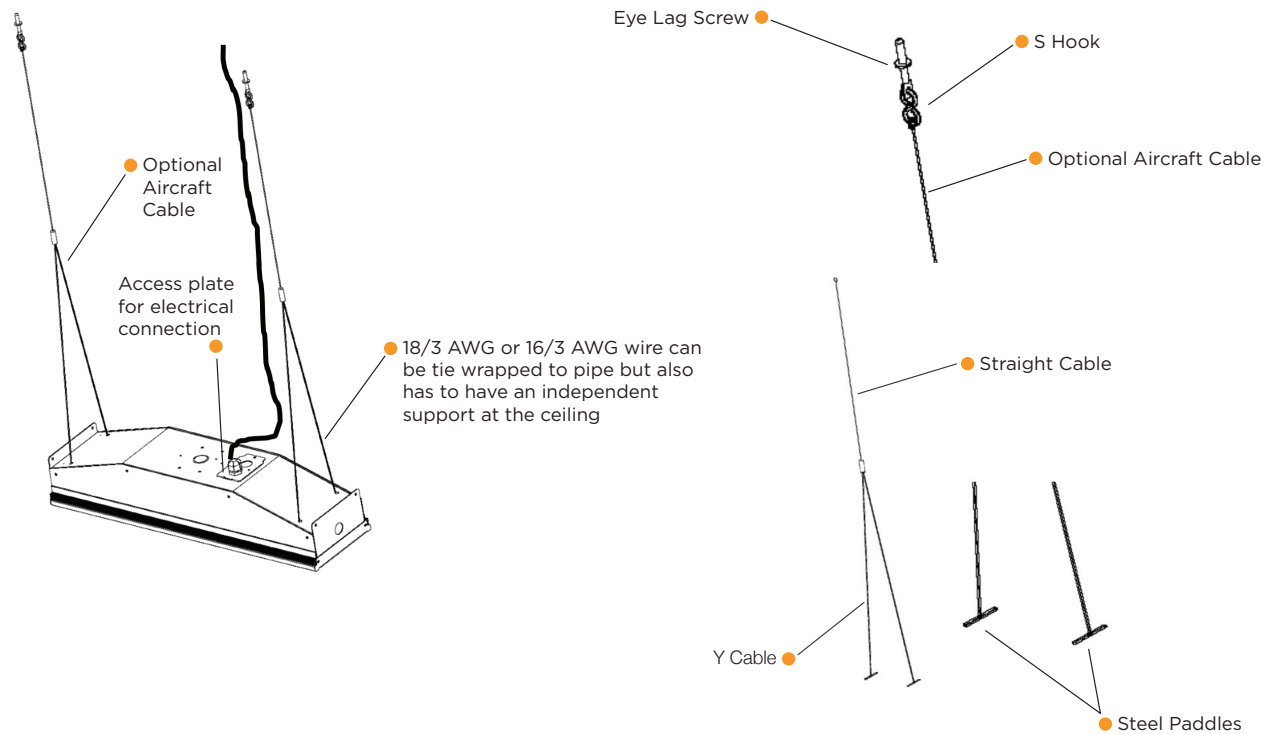
1. Disconnect the electrical power on the electrical panel prior to installing the High Bay fixture.
2. The High Bay fixture is shipped with two(2) caddy clips - one at each end of the fixture. Ensure that the caddy clips are oriented the same as **Figure A**. Use pliers to 'close' off the ends of the caddy clips such that the clips can't be taken off.
3. Attach an S hook to the top of the caddy clip and then attach the other side of S hook to jack chain (minimum #10 size). Use pliers to 'close' off the ends of the S hook onto the caddy clip and jack chain (minimum S hook size 1.625" long, .135" thick with .5" ID in steel).
4. At the top of the jack chain attach an S hook to the jack chain and the other end of the jack chain to an eye lag screw. The installer should choose the proper eye lag screw as there are different types used for wood, steel and concrete. Minimum eye lag screw should be #12 size.
5. Pull the existing 18/3 AWG or 16/3 AWG wire from the High Bay fixture into the junction box. Use a strain relief on the access plate if required. Connect the appropriate wires using wire nuts (black to black, white to white and green to ground wire). Ensure the ground wire is also grounded to the junction box using a ground screw. The 18-3 AWG or 16-3 AWG wire from the High Bay fixture can be tie wrapped to the jack chain but also has to be independently supported to the ceiling or roof. Check to see if the High Bay fixture is securely in place and that the jack chain is properly attached to the ceiling and the fixture.
6. Ensure the High Bay fixture is connected to a timer, relay system, motion detector or switch so that it can be activated easily.
7. Check all connections for open loops and replace loose and or damaged wires.
8. Turn the electrical power on from the electrical panel.
9. Test the connection by turning on the timer, relay system, motion detector or light switch that the High Bay light fixture is connected to.

# TITAN HB

## INSTALLATION INSTRUCTIONS

### ● Aircraft Cable

● FIGURE A



1. Disconnect the electrical power on the electrical panel prior to installing the High Bay fixture.
2. The High Bay fixture has an optional aircraft cable which can be ordered. If the installer is using their own aircraft cable they must ensure that the cable has steel paddles which will fit through the top holes on the High Bay fixture as show in the **Figure A**. The paddles should engage properly such that the cable does not come out of the holes located on the top part of the High Bay fixture. The cable should form a 'Y' shape which should be connected to an adaptor at the top of the 'Y'. A straight wire should then be connected to the adaptor and run to the ceiling or roof where it is to be connected. There should be a loop at the end of this cable at the top either formed using crimping a lug or other means to attach to a S hook.
3. Attach an S hook to the top of the aircraft cable and then attach the other side of the S hook to the eye lag screws. Use pliers to 'close' off the ends of the S hook onto the aircraft cable and eye lag screw. The installer should choose the proper eye lag screw as there are different types used for wood, steel and concrete (minimum eye lag screw should be #12).
4. Pull the existing 18/3 AWG or 16/3 AWG wire from the High Bay fixture into the junction box. Use a strain relief on the access plate if required. Connect the appropriate wires using wire nuts (black to black, white to white and green to ground wire). Ensure the ground wire is also grounded to the junction box using a ground screw. The 18/3 AWG or 16/3 AWG wire from the High Bay fixture can be tie wrapped to the aircraft cable but also has to be independently supported to the ceiling or roof. Check to see if the High Bay fixture is securely in place and that the aircraft cable is properly attached to the ceiling and the fixture.
5. Ensure the High Bay fixture is connected to a timer, relay system, motion detector or switch so that it can be activated easily.
6. Check all connections for open loops and replace loose and or damaged wires. Turn the electrical power on from the electrical panel.
7. Test the connection by turning on the timer, relay system, motion detector or light switch that the High Bay light fixture is connected to.