



Fixture: \_\_\_\_\_

Date: \_\_\_\_\_

QTY: \_\_\_\_\_

Client/Project: \_\_\_\_\_

## DelSnap AH

### LED Air Handling Troffer Fixture

### Product Details

LED Troffer luminaire. Steel construction. White finish with frosted lens. Air vents for supply and return. T-Bar mounting. Easy lay-in installation. 1x4, 2x4, 2x2, and 30x30 size options. 10kV surge protection and occupancy sensor options. General ceiling light applications. 10 Year Warranty

### Specifications

Efficacy: 1x4: Up to 139 Lm/W | 2x4: Up to 139 Lm/W | 2x2: Up to 133 Lm/W | 30x30: Up to 111 Lm/W

CRI: 83+

Color Temperature: 3000K, 3500K, 4000K, 5000K

Lumen Maintenance: 180,000+ Life Hours (L70)

Watts: 20W, 30W, 40W, 60W

Voltage: 120/277V | 347V

Controls: 0-10V Dimming

Operating Temperature: -40°C to +40°C

### Mounting Option

Flush Mount

### Accessories

Occupancy Sensor (on/off), Emergency Battery, 10kV Surge Protection

**10 YEAR**  
WARRANTY

### Output Performance

Model	Watts	Lm/W	Delivered Lumens
Delsnap 1x4 20	20.5	139.1	2,850
Delsnap 1x4 30	29.8	137.3	4,095
Delsnap 1x4 40	39.6	137.3	5,431

Model	Watts	Lm/W	Delivered Lumens
Delsnap 2x4 30	27.8	139	3,858
Delsnap 2x4 40	37.7	130.6	4,928
Delsnap 2x4 60	59.5	122.4	7,286

Model	Watts	Lm/W	Delivered Lumens
Delsnap 2x2 20	20.8	133	2,769
Delsnap 2x2 30	32.9	129.1	4,249
Delsnap 2x2 40	46.1	122.1	5,629

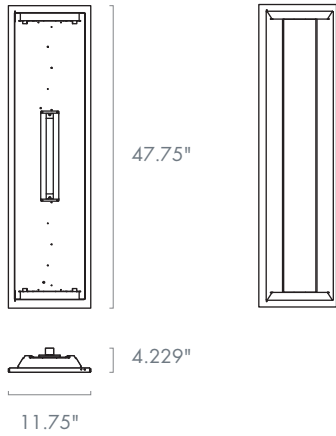
Model	Watts	Lm/W	Delivered Lumens
Delsnap 30x30 20	20.5	107.3	2,200
Delsnap 30x30 30	29.8	110.7	3,300
Delsnap 30x30 40	39.6	111.1	4,400

Specifications subject to change without notice.

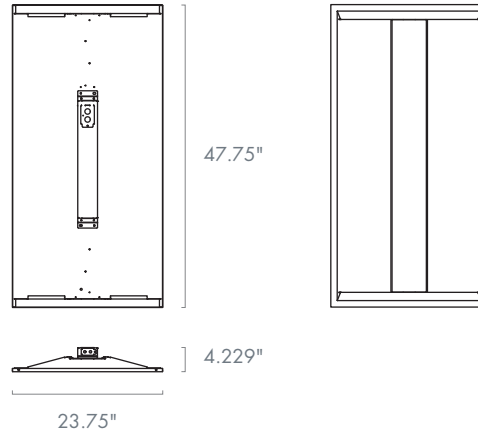
## Del Snap AH

### Dimensions

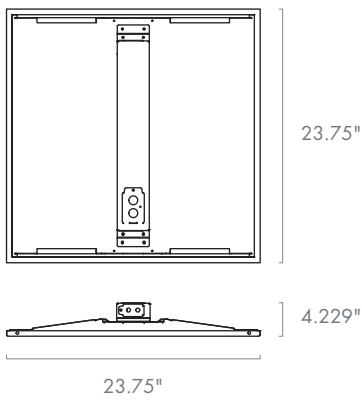
DelSnap AH 1x4



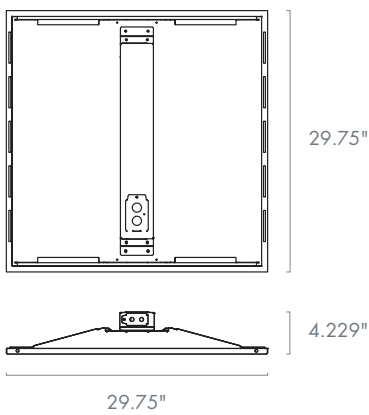
DelSnap AH 2x4



DelSnap AH 2x2



DelSnap AH 30 x 30



## Del Snap AH

### Ordering Guide

MODEL	WATTS	COLOR TEMP	VOLTAGE	LENS	FINISH	MOUNTING
<b>DelSnap 1x4</b>	<b>20, 30, 40</b>	<b>3K</b> 3000K	<b>U</b> 120/277V	<b>NL</b> Normal Frosted Lens (Standard)	<b>WH</b> White	<b>T BAR</b> T Bar
<b>DelSnap 2x2</b>	<b>20, 30, 40</b>	<b>35K</b> 3500K	<b>H</b> 347V			
<b>DelSnap 2x4</b>	<b>30, 40, 60</b>	<b>4K</b> 4000K				
<b>DelSnap 30x30</b>	<b>20, 30, 40</b>	<b>5K</b> 5000K				
				<b>NL</b>	<b>WH</b>	<b>T BAR</b>
WIRING		ACCESSORIES		PLUG OPTION		PRODUCT TYPE
<b>BFC</b> Black Flexible Cord		<b>N</b> None		<b>N</b> None		<b>AH</b> Air Handling
<b>WFC</b> White Flexible Cord		<b>*OCC</b> Occupancy Sensor (on/off)		<b>*See Plug Options</b>		
		<b>10kV</b> 10kV Surge Protection				
		<b>EM</b> Emergency Battery				
					<b>AH</b>	

#### NOTE

**OCC** - Occupancy Sensor - Please consult factory

#### PLUG OPTIONS

<b>5-15P</b> - 125V 15A TSlot Plug	<b>6-20P</b> - 250V AC 20A Plug	<b>24-20P</b> - 347V AV 20A 3W/2P Plug NEMA 24-20
<b>L5-15P</b> - 125V 15A Locking Plug	<b>L6-20P</b> - 250V 20A Locking Plug	<b>L24-20P</b> - 347V 20A Locking Plug
<b>5-20P</b> - 125V AC 20A TSlot Plug	<b>7-15P</b> - 277V 15A 3W/2P NEMA 7-15 Plug	<b>24-15P</b> - 347V AC 15A 3W/2 Plug NEMA 24-15
<b>L5-20P</b> - 125V 20A Locking Plug	<b>L7-15P</b> - 277V 15A Locking Plug	
<b>6-15P</b> - 250V AC 15A 3W/2P Plug NEMA 6-15	<b>7-20P</b> - 277V AC 20A Plug	
<b>L6-15P</b> - 250V 15A Locking Plug	<b>L7-20P</b> - 277V 20A Locking Plug	