

## Thinline Recessed 2.25

**delviro energy**

94 Brockport Drive, Toronto, Ontario, M9W 7J8 | Tel. 1.877.502.3434 | [info@delviro.com](mailto:info@delviro.com)

[www.delviro.com](http://www.delviro.com)

DATE:	FIXTURE:
QTY:	CLIENT/ PROJECT:



# Thinline 2.25

Recessed

## Product Features

- Aluminum housing, 2.25" wide
- Recessed lighting
- Lengths: 2', 4', 6', 8'
- Continuous run option
- Polycarbonate frosted lens
- Wall Wash optic available
- Standard Grey, White, and Black
- Custom finishes available
- Designed and manufactured in North America



**10 Year**  
Warranty

## Specifications

**Efficacy:**  
98 Lm/W

**CRI:**  
80+

**Color Temperature:**  
3000K, 3500, 4000K, 5000K

**Lumen Maintenance:**  
200,000+ Life Hours (L70)

**Voltage:**  
120/277V | 347V  
480V - Consult Factory

**Watts/ft:**  
2.5W, 3.5W, 5W, 7.5W, 10W

**Control Options:**  
0-10V Dimming, DMX, DALI,  
Wireless

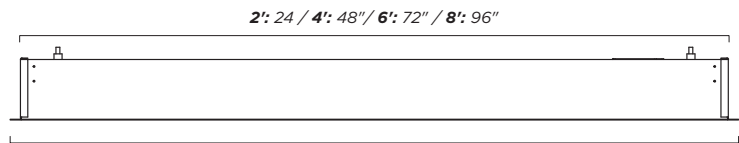
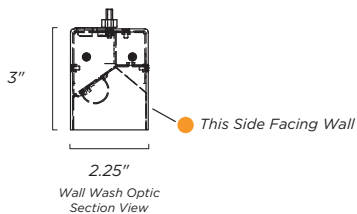
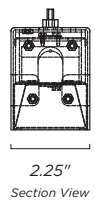
**Operating Temperature:**  
-20°C to +40°C

**Mounting:**  
Drywall without Trim, Drywall  
with Trim, Spackle Flange

**Wiring Options:**  
Black, White, and Grey Flexible  
Cord, 3 and 5 Conductor Wire

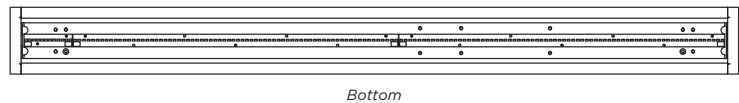
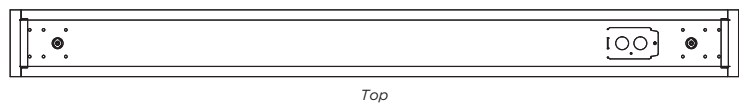
**Accessories:**  
10kV Surge protection,  
0-10 - 1% Dim to Off Driver

## Dimensions



2': 25.5" / 4': 49.5" / 6': 73.5" / 8': 97.5"

Side  
Length with Trim



**Note:** Not all products are qualified on the DLC QPL.

To view our DLC qualified products, please consult the DLC qualified products list at [www.designlights.org/qpl](http://www.designlights.org/qpl).

## delviro energy

94 Brockport Drive, Toronto, Ontario, M9W 7J8 | Tel. 1.877.502.3434 | [info@delviro.com](mailto:info@delviro.com) | [www.delviro.com](http://www.delviro.com)

© delviro energy 2018

Specifications subject to change without notice.

## Output Performance

**Table**

Watts/ft	Delivered Lumens/ft
2.5	250
3.5	350
5	500
7.5	750
10	1000

**Power in Continuous Run**

Voltage	Power
120V	1200W
240V	2400W
277V	2500W
347V	2500W

## Custom Output Packages

**Step 1:**

Select Model:

2', 4', 6', 8'

**Step 2:**

Select:

Watts/ft - Delivered lumens/ft

Sample Output Package: Thinline 8', 10W/ft - 1000 Delivered lumens/ft yields: 80W and 8000 Lumens

\* Watts per foot available on all lengths

\* LPW with frosted lens

Model	Watts/ft	Delivered Lumens/ft	Yields	Watts	Delivered Lumens
<b>DTL 2'</b>	2.5	250		5	500
	3.5	350		7	700
	5	500		10	1000
	7.5	750		15	1500
	10	1000		20	2000

Model	Watts/ft	Delivered Lumens/ft	Yields	Watts	Delivered Lumens
<b>DTL 4'</b>	2.5	250		10	1000
	3.5	350		14	1400
	5	500		20	2000
	7.5	750		30	3000
	10	1000		40	4000

Model	Watts/ft	Delivered Lumens/ft	Yields	Watts	Delivered Lumens
<b>DTL 6'</b>	2.5	250		15	1500
	3.5	350		21	2100
	5	500		30	3000
	7.5	750		45	4500
	10	1000		60	6000

Model	Watts/ft	Delivered Lumens/ft	Yields	Watts	Delivered Lumens
<b>DTL 8'</b>	2.5	250		20	2000
	3.5	350		28	2800
	5	500		40	4000
	7.5	750		60	6000
	10	1000		80	8000

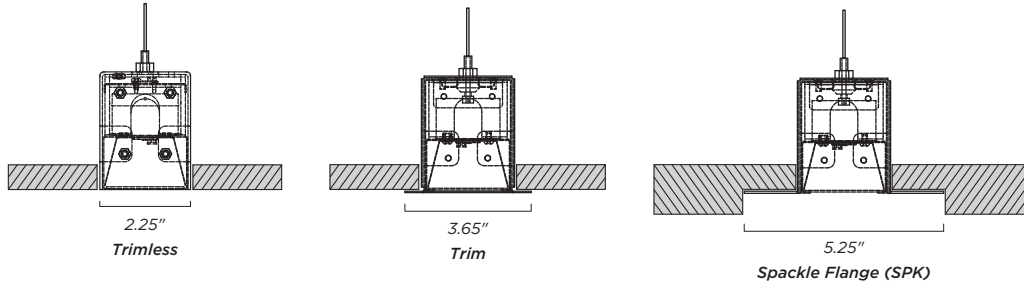
**delviro energy**

94 Brockport Drive, Toronto, Ontario, M9W 7J8 | Tel. 1.877.502.3434 | info@delviro.com | www.delviro.com

© delviro energy 2018

Specifications subject to change without notice.

### Trim Options

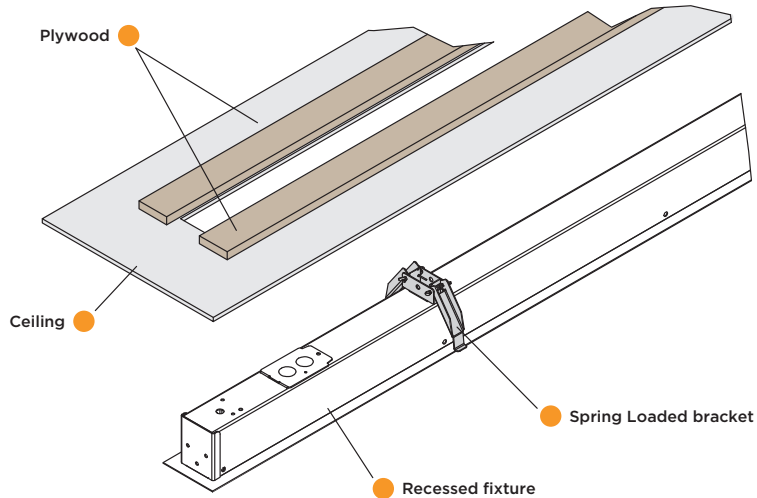


Ceiling 

### Installation - Drywall With Trim

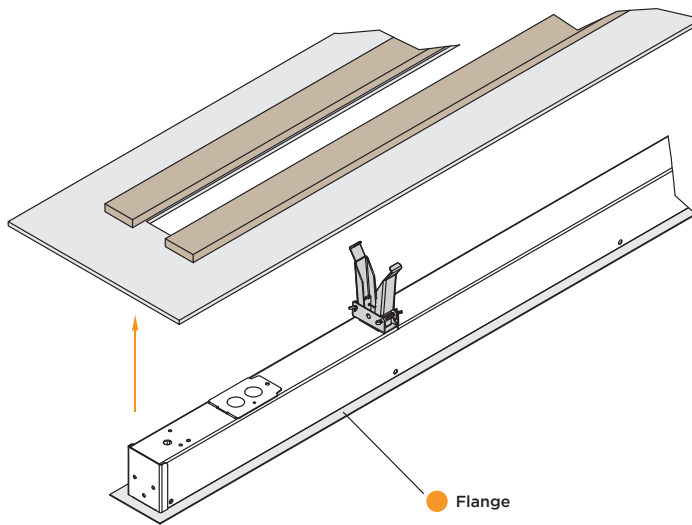
#### Steps:

1. Prepare the opening in the ceiling and add 2 plywood strips on the length to a total thickness of minimum 0.075", and secure them to the ceiling. The plywood strip should be at least 2" wide.

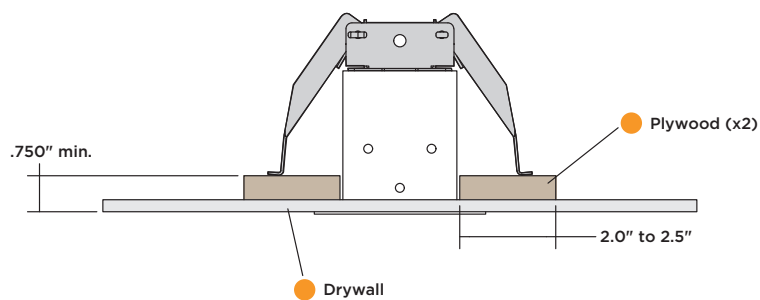


**Installation - Drywall With Trim** *cont.*

2. Raise the arms of the spring-loaded bracket and slide in the opening. Release arms once the pass thru the opening and continue pushing the fixture up until the flange has reached the ceiling.



3. In mounted position the flange and the arms of the spring-loaded bracket will trap the ceiling in between holding the fixture on.



**delviro energy**

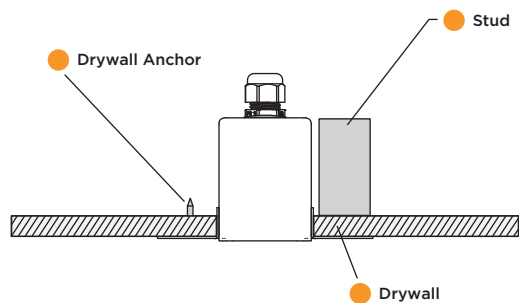
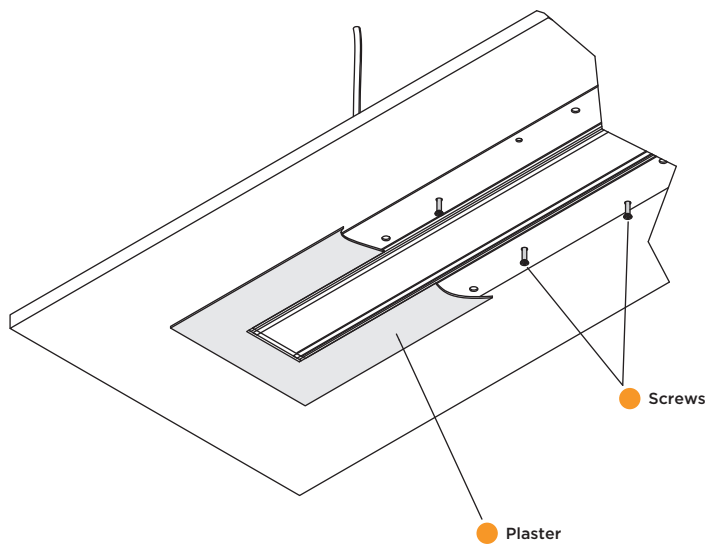
94 Brockport Drive, Toronto, Ontario, M9W 7J8 | Tel. 1.877.502.3434 | info@delviro.com | www.delviro.com

© delviro energy 2018

Specifications subject to change without notice.

## Installation - Spackle Flange

1. Align fixture with the precut drywall opening and insert fixture.
2. Fasten fixture to the drywall by drilling screws through the spackle flange.
3. Wood blocking or drywall anchors are required to reinforce the screws to the drywall.
4. Protect the visible edges of the fixture with tape or other protective material.
5. Plaster and sand over the spackle flange to create a smooth finish.



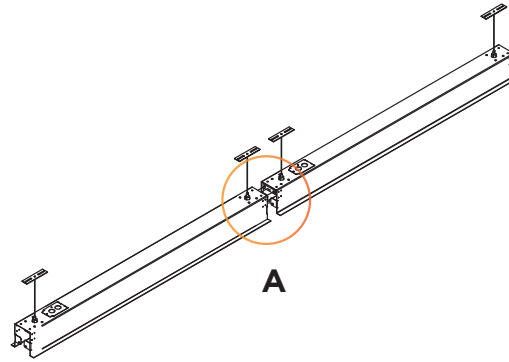
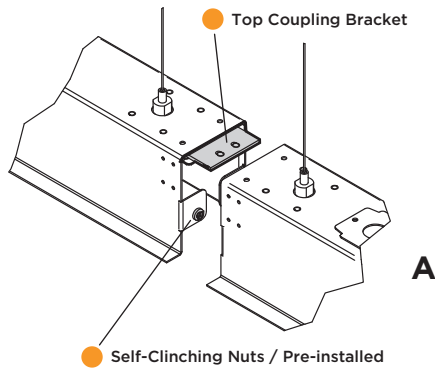
### delviro energy

94 Brockport Drive, Toronto, Ontario, M9W 7J8 | Tel. 1.877.502.3434 | info@delviro.com | www.delviro.com

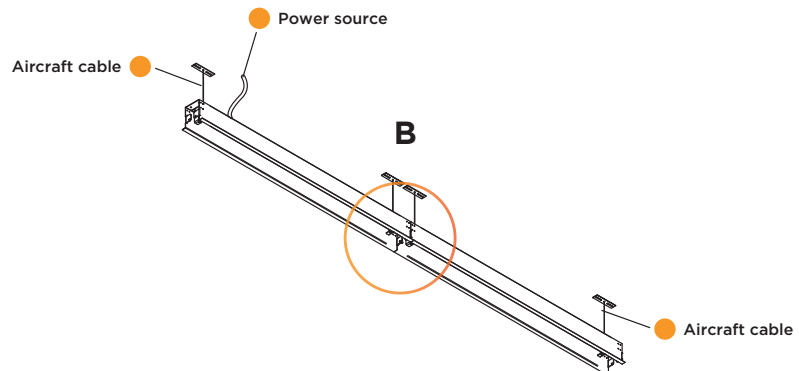
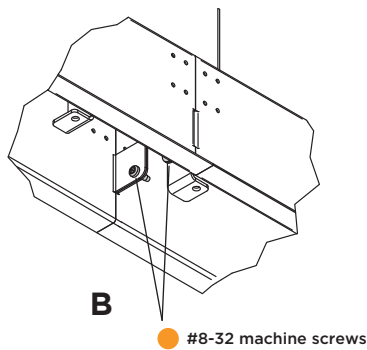
© delviro energy 2018

Specifications subject to change without notice.

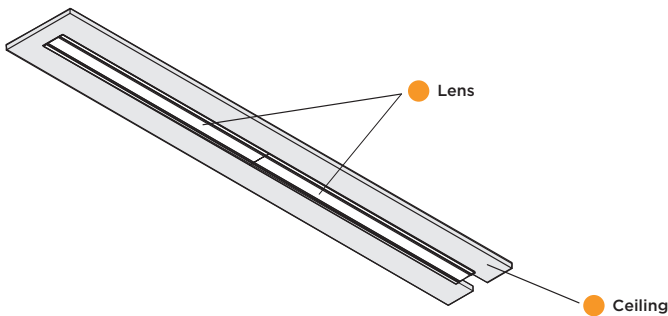
### Coupling - Continuous Run Installation



1. Once aligned, use #8-32 machine screws to join fixtures together.
2. Connect lead fixture to power source.
3. Raise aircraft cables at 1 inch increment at a time for joined fixtures until fixtures are at the same level with ceiling.



4. Make electrical connections between fixtures on gear trays and re-attach them to the internal mounting brackets.
5. Insert lens into each fixture.



**delviro energy**

94 Brockport Drive, Toronto, Ontario, M9W 7J8 | Tel. 1.877.502.3434 | info@delviro.com | www.delviro.com

© delviro energy 2018

Specifications subject to change without notice.

## Ordering Guide

MODEL	WATTS/FT	COLOR TEMP	VOLTAGE	LENS	FINISH	MOUNTING
DTL2	2.5	3K 3000K	U 120/277V	FR Frosted	WH White	DRT Drywall with Trim
DTL4	3.5	35K 3500K	H 347V		CU Custom	DR Drywall with out Trim
DTL6	5	4K 4000K				SPK Spackle Flange
DTL8	7.5	5K 5000K				
DTLCR	10					

				FR		
--	--	--	--	----	--	--

WIDTH	WIRING	ACCESSORIES	TYPE	CUSTOM LENGTHS (DTLCR)
2.25 2.25"	<b>BFC</b> Black Flexible Cord <b>WFC</b> White Flexible Cord <b>GFC</b> Grey Flexible Cord <b>3 WIRE</b> 3 Conductor Wire ___ <b>5 WIRE</b> 5 Conductor Wire ___ <b>N</b> No Cord	<b>N</b> None <b>WC</b> Wireless Controls <b>DMX</b> <b>DALI</b> <b>10kV</b> 10kV Surge Protection <b>DIMOFF</b> 0-10 1% Dim to off Driver	<b>RC</b> Recessed <b>RCWW</b> Recessed Wall Wash	Specify Length Must be 2' Increments Greater than 10'

2.25				
------	--	--	--	--

NOTE
<p><b>DTLCR - Continuous Run</b> - Specify Custom Lengths</p> <p><b>480V</b> - Please consult factory</p> <p><b>LV</b> - Please consult factory</p> <p><b>CU</b> - Please consult factory</p>