



## **Thinline**

Recessed HD

**delviro energy**

94 Brockport Drive, Toronto, Ontario, M9W 7J8 | Tel. 1.877.502.3434 | [info@delviro.com](mailto:info@delviro.com)

[www.delviro.com](http://www.delviro.com)

Date:	Fixture:
Qty:	Client/ Project:



## Thinline

### Recessed HD

#### FEATURES

- One piece aluminum housing
- Lengths: 2', 3', 4', 6', 8'
- Mounted in Hunter Douglas linear ceiling
- Consistent illumination
- Polycarbonate frosted lens
- Finishes to match Hunter Douglas ceiling panels

**10** Year  
Warranty

#### SPECIFICATIONS

**Efficacy:**

98 Lm/W

**CRI:**

80+ | 90 available

**Color Temperature:**

3000K, 3500K, 4000K, 5000K

**Lumen Maintenance:**

200,000+ Life Hours (L70)

**Voltage:**

120V, 277V | Univ

**Control Options:**

0-10V Dimming, DMX, DALI, Wireless

**Operating Temperature:**

-20°C to +40°C

**Mounting Options:**

Recessed - Hunter Douglas Panels

**Wiring Options:**

Black, White, Grey Flexible Cord,  
3 and 5 Conductor Wire

**Accessories:**

10kV Surge Protection,  
0-10 1% Dim to Off Driver

#### OUTPUT PERFORMANCE

Watts/ft	Delivered Lumens/ft
2.5	250
3.5	350
5	500
7.5	750
10	1000

#### MAX LINEAR FT

Model	Feet
120V	120
240V	240
277V	250
347V	250

#### Custom Output Packages

**Step 1:**

Select Model:

2', 3', 4', 6', 8'

**Step 2:**

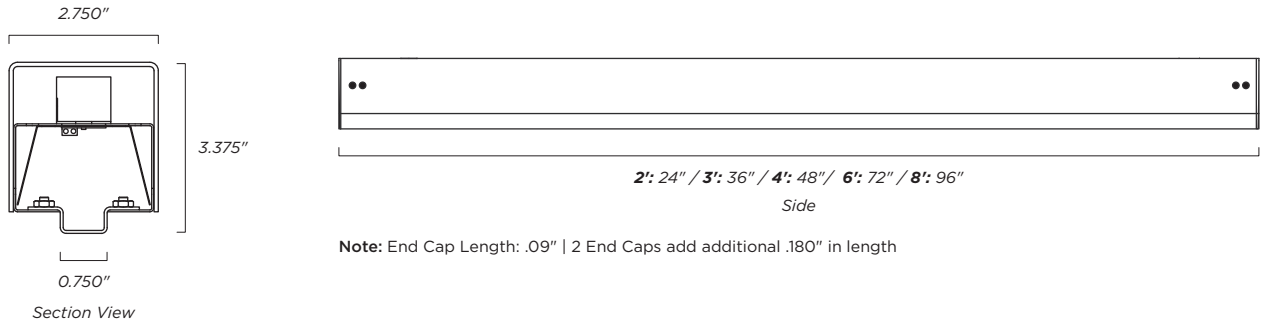
Select:

Watts/ft - Delivered lumens/ft

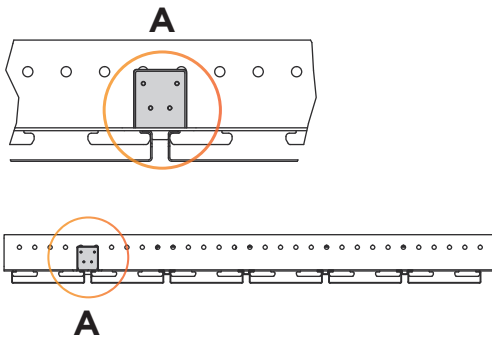
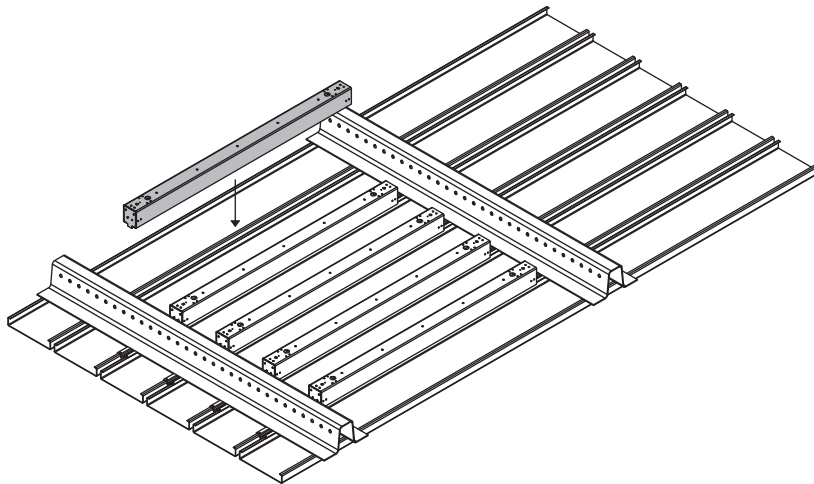
**Sample Output Package:** Thinline 8', 10W/ft - 1000 Delivered lumens/ft  
yields: 80W and 8000 Lumens

\* Watts per foot available on all lengths

## DIMENSIONS



## INSTALLATION



## delviro energy

94 Brockport Drive, Toronto, Ontario, M9W 7J8 | Tel. 1.877.502.3434 | info@delviro.com | www.delviro.com

© delviro energy 2018

Specifications subject to change without notice.

## ORDERING GUIDE

MODEL	WATTS/ft	COLOR TEMP	VOLTAGE	LENS	FINISH	MOUNTING
<b>DTL2</b>	<b>2.5</b>	<b>3K</b> 3000K	<b>U</b> 120/277V	<b>AC</b> Acylic Satin	<b>CM</b> Color Match - Hunter Douglas Ceiling Panels	<b>RC</b> Recessed
<b>DTL3</b>	<b>3.5</b>	<b>35K</b> 3500K	<b>120V</b>			<b>HD</b> Hunter Douglas
<b>DTL4</b>	<b>5</b>	<b>4K</b> 4000K	<b>277V</b>			
<b>DTL6</b>	<b>7.5</b>	<b>5K</b> 5000K				
<b>DTL8</b>	<b>10</b>					

				<b>AC</b>	<b>CM</b>	
--	--	--	--	-----------	-----------	--

WIRING	ACCESSORIES	TYPE
<b>BFC</b> Black Flexible Cord	<b>N</b> None	<b>HD</b> Hunter Douglas
<b>WFC</b> White Flexible Cord	<b>WC</b> Wireless Controls	
<b>GFC</b> Grey Flexible Cord	<b>DMX</b>	
<b>3 WIRE</b> 3 Conductor Wire ___	<b>DALI</b>	
<b>5 WIRE</b> 5 Conductor Wire ___	<b>10kV</b> 10kV Surge Protection	
<b>N</b> No Cord	<b>DIMOFF</b> 0-10 1% Dim to off Driver	

		<b>HD</b>	
--	--	-----------	--

NOTE
<b>CM</b> - Consult factory for Hunter Douglas ceiling panel finish options