

Date:	Fixture:
Qty:	Client/ Project:



## Titan HB 120, 240

### High Bay

#### FEATURES

- Aluminum construction
- Polycarbonate protective lens
- Dry and Damp Rated
- Driver accessible drawer
- Natatorium option



**10** Year  
Warranty

#### SPECIFICATIONS

**Efficacy:**

120 Lm/W

**CRI:**

86

**Color Temperature:**

3000K, 3500K, 4000K, 5000K

**Lumen Maintenance:**

200,000+ Life Hours (L70)

**Watts:**

120W, 240W

**Voltage:**

120/277V | 347/480V

**Control Options:**

0-10V Dimming, WIFI, Occupancy Sensor, Bi-Level Dimming

**Operating Temperature:**

-25°C to +40°C  
-25°C to +55°C - Option Available

**Mounting Options:**

V Hook, Jack Chain, Aircraft Cable, Mounting Stem, Diecast Mounting Plate, Indirect-Uplight Mounting Bracket

**Wiring Options:**

Black Flexible Cord  
White Flexible Cord

**Accessories:**

Gasketed and Conformal Coated, Dimming Wire Accessible, 10kV Surge Protection

#### OUTPUT PERFORMANCE

Model	Watts	Lm/W	Delivered Lumens
TitanHB 120	120.5	120.6	14528
TitanHB 240	240.8	120.4	29002

**Note:** Not all products are qualified on the DLC QPL.

To view our DLC qualified products, please consult the DLC qualified products list at [www.designlights.org/qpl](http://www.designlights.org/qpl).

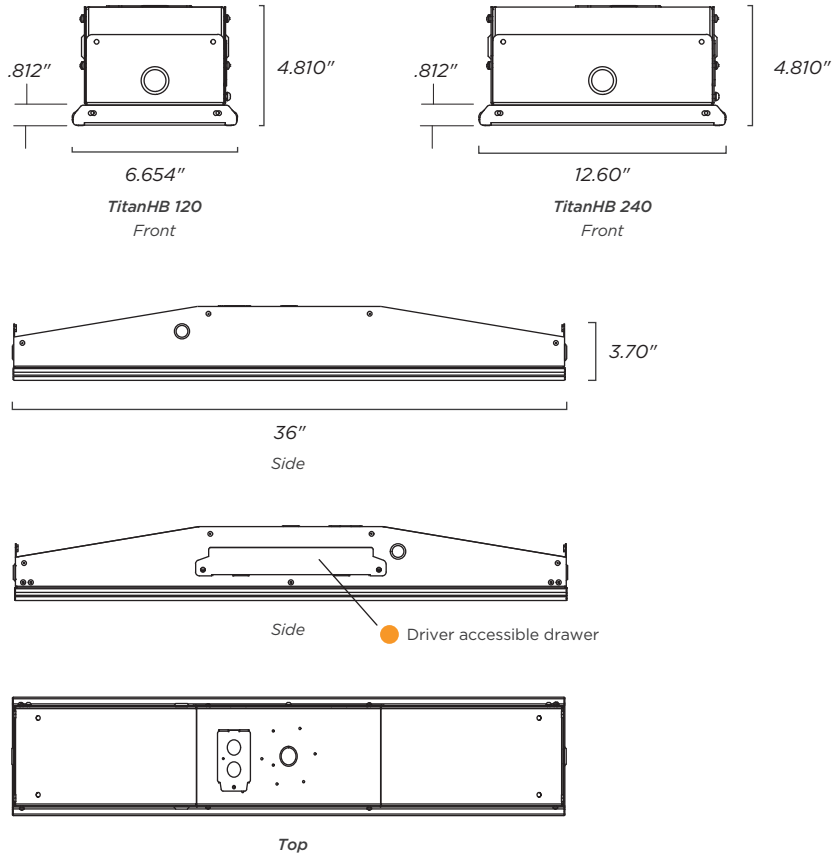
**delviro energy**

94 Brockport Drive, Toronto, Ontario, M9W 7J8 | Tel. 1.877.502.3434 | [info@delviro.com](mailto:info@delviro.com) | [www.delviro.com](http://www.delviro.com)

© delviro energy 2018

Specifications subject to change without notice.

## DIMENSIONS



## ORDERING GUIDE

MODEL	WATTS	COLOR TEMP	VOLTAGE	LENS	FINISH	MOUNTING
TitanHB	120	3K 3000K	U 120/277V	FR Frosted	WH White	V V Hook
	240	35K 3500K	H 347/480V	CL Clear	CU Custom	JC72 Jack Chain Set 4 X 72" w/ "S" hooks included
		4K 4000K		CLG Clear Glass		JC96 Jack Chain Set 4 X 96" w/ "S" hooks included
		5K 5000K				JC144 Jack Chain Set 4 X 144" w/ "S" hooks included
						ACY120 Aircraft Cable 120" W/Y Toggles & Adjusters
				ACY200 Aircraft Cable 200" W/Y Toggles & Adjusters		

TITANHB						
---------	--	--	--	--	--	--

MOUNTING	WIRING	ACCESSORIES	PLUG
<b>MS3-1/2W</b> Mounting Stem 1/2" IPS (7/8" O.D.) 3' threaded at both ends	<b>BFC</b> Black Flexible Cord	<b>N</b> None	<b>N</b> None
<b>MS4-1/2W</b> Mounting Stem 1/2" IPS (7/8" O.D.) 4' threaded at both ends	<b>WFC</b> White Flexible Cord	<b>OCC</b> Occupancy Sensor (on/off)	<b>+See Plug Options</b>
<b>MS6-1/2W</b> Mounting Stem 1/2" IPS (7/8" O.D.) 6' threaded at both ends		<b>WC</b> Wireless Controls*	
<b>MS8-1/2W</b> Mounting Stem 1/2" IPS (7/8" O.D.) 8' threaded at both ends		<b>BLD</b> Bi Level Dimming (100%/10%)	
<b>1/2 NPT</b> Diecast Mounting Plate with 1/2" NPT		<b>GCC</b> Gasketed and Conformal Coated	
<b>3/4 NPT</b> Diecast Mounting Plate with 3/4" NPT		<b>DA</b> Dimming Wire Accessible	
<b>IND</b> Indirect-Uplight mounting bracket		<b>10kV</b> 10kV Surge Protection	
<b>TG</b> T Grid (Kit)			

--	--	--	--

### NOTE

**TG** - See TitanHB 80 and TitanHB 160 with recessed kit specification sheet or consult factory  
**TitanHB Natatorium** - includes conformal coated boards and gasketing for damp and chlorine rated environments.  
**WC** - Please consult factory

### PLUG OPTIONS

<b>5-15P</b> - 125V 15A T-Slot Plug	<b>6-20P</b> - 250V AC 20A Plug	<b>24-20P</b> - 347V AV 20A 3W/2P Plug NEMA 24-20
<b>L5-15P</b> - 125V 15A Locking Plug	<b>L6-20P</b> - 250V 20A Locking Plug	<b>L24-20P</b> - 347V 20A Locking Plug
<b>5-20P</b> - 125V AC 20A T-Slot Plug	<b>7-15P</b> - 277V 15A 3W/2P NEMA 7-15 Plug	<b>24-15P</b> - 347V AC 15A 3W/2 Plug NEMA 24-15
<b>L5-20P</b> - 125V 20A Locking Plug	<b>L7-15P</b> - 277V 15A Locking Plug	
<b>6-15P</b> - 250V AC 15A 3W/2P Plug NEMA 6-15	<b>7-20P</b> - 277V AC 20A Plug	
<b>L6-15P</b> - 250V 15A Locking Plug	<b>L7-20P</b> - 277V 20A Locking Plug	