

Date:	Fixture:
Qty:	Client/ Project:



VT4L

Vapor Tight Fixture

FEATURES

- Enclosed and gasketed body protects electronics from harsh weather elements
- Moisture, Vapor, Chemical Resistant, Corrosion Free, Dust and Moisture protective
- Frosted and Clear lens options
- IP 65
- IP 67
- NSF Available



10 Year
Warranty

SPECIFICATIONS

Efficacy:

143.8 Lm/W

CRI:

85

Color Temperature:

3000K, 3500K, 4000K, 5000K

Lumen Maintenance:

200,000+ Life Hours (L70)

Watts:

120W, 160W

Voltage:

120/277V | 347/480V

Control Options:

0-10V Dimming

Operating Temperature:

-40°C to +40°C
+55°C - option available

Mounting Options:

Suspended

Wiring Options:

Black Flexible Cord
White Flexible Cord

Accessories:

Occupancy Sensor (waterproof option available), Bi-Level Dimming (waterproof option available), Photo Control, 10kV Surge Protection

OUTPUT PERFORMANCE

Model	Input Watts	Lm/W	Delivered Lumens
VT4L 120	122.4	143.8	17544
VT4L 160	160.1	143.8	23324

Note: Not all products are qualified on the DLC QPL.

To view our DLC qualified products, please consult the DLC qualified products list at www.designlights.org/qpl.

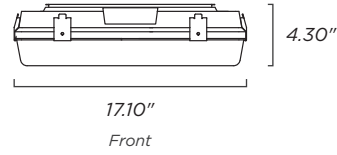
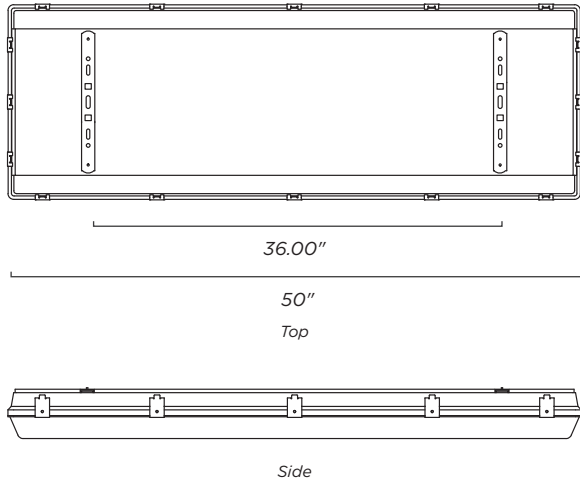
delviro energy

94 Brockport Drive, Toronto, Ontario, M9W 7J8 | Tel. 1.877.502.3434 | info@delviro.com | www.delviro.com

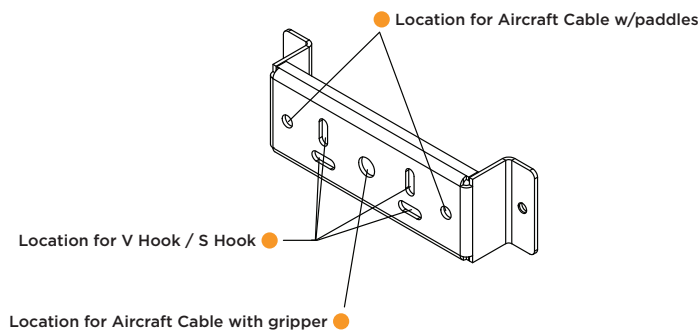
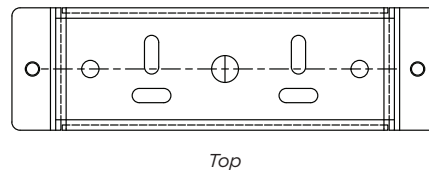
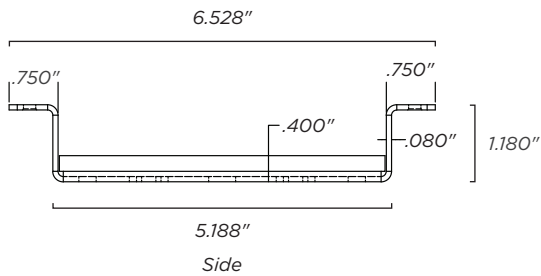
© delviro energy 2018

Specifications subject to change without notice.

DIMENSIONS



STANDARD MOUNTING BRACKET



ORDERING GUIDE

MODEL	WATTS	COLOR TEMP	VOLTAGE	LENS	FINISH	MOUNTING
VT4L	120 160	3K	3000K	U	120/277V	GRY Grey AC Aircraft Cable V V Hooks
		35K	3500K	H	347/480V	
		4K	4000K			
		5K	5000K			

VT4L					GRY	
------	--	--	--	--	-----	--

WIRING	ACCESSORIES	PLUG
BFC Black Flexible Cord WFC White Flexible Cord	N None OCC Occupancy Sensor (on/off) BLD Bi Level Dimming (100%/10%) WBD Waterproof Bi-Level Dimming (100%/10%) WOC Waterproof Occupancy Sensor (on/off) PC Photo Control HT High Temperature +55°C 10kV 10kV Surge Protection	N None *See Plug Options

NOTE

PC - Photo Control - Please specify voltage (120V, 208-277V, 347V, 480V)
HT - High Temperature +55°C - Specify if dimming required - Please consult factory

PLUG OPTIONS

5-15P - 125V 15A T-Slot Plug
L5-15P - 125V 15A Locking Plug
5-20P - 125V AC 20A T-Slot Plug
L5-20P - 125V 20A Locking Plug
6-15P - 250V AC 15A 3W/2P Plug NEMA 6-15
L6-15P - 250V 15A Locking Plug
6-20P - 250V AC 20A Plug
L6-20P - 250V 20A Locking Plug
7-15P - 277V 15A 3W/2P NEMA 7-15 Plug
L7-15P - 277V 15A Locking Plug
7-20P - 277V AC 20A Plug
L7-20P - 277V 20A Locking Plug
24-20P - 347V AV 20A 3W/2P Plug NEMA 24-20
L24-20P - 347V 20A Locking Plug
24-15P - 347V AC 15A 3W/2 Plug NEMA 24-15

delviro energy

94 Brockport Drive, Toronto, Ontario, M9W 7J8 | Tel. 1.877.502.3434 | info@delviro.com | www.delviro.com

© delviro energy 2018

Specifications subject to change without notice.