

Date:	Fixture:
Qty:	Client/ Project:



Zip Light

Flat

FEATURES

- Steel Construction
- 4 and 8 foot length options
- Frosted acrylic lens shields LEDs from direct view
- Wall mountable option
- Screw in LED pan single ground screw for easy installation
- Enclosed lens prevents penetration of dust, insects and other debris into the lamp compartment
- Glass free polycarbonate shatter-proof lens safe for food plants
- Dry and Damp rated
- Continuous run option



10 Year
Warranty

SPECIFICATIONS

Efficacy:

4': 140 Lm/W | 8': Up to 156 Lm/W

CRI:

86

Color Temperature:

5000K

Lumen Maintenance:

200,000+ Life Hours (L70)

Voltage:

120/277V | 347V

Control Options:

0-10V Dimming (347V)

Operating Temperature:

-30°C to +45°C

Mounting Options:

Suspended, Flush Mount,
Continuous Run

Wiring Options:

Black Flexible Cord
White Flexible Cord

Accessories:

Occupancy Sensor,
10kV Surge Protection

OUTPUT PERFORMANCE

Model	Input Watts	Lm/W	Delivered Lumens	Model	Input Watts	Lm/W	Delivered Lumens
Zip 4 15	15	140	1766	Zip 8 40	38	156	5911
Zip 4 20	20.3	140	2885	Zip 8 60	57	156	8765
Zip 4 30	29.8	140	4003	Zip 8 80	75	155	11620
Zip 4 40	41.6	140	5378	Zip 8 100	99.2	155	15400
Zip 4 60	59.7	140	8272	Zip 8 120	116	152	17830

Note: Not all products are qualified on the DLC QPL.

To view our DLC qualified products, please consult the DLC qualified products list at www.designlights.org/qpl.

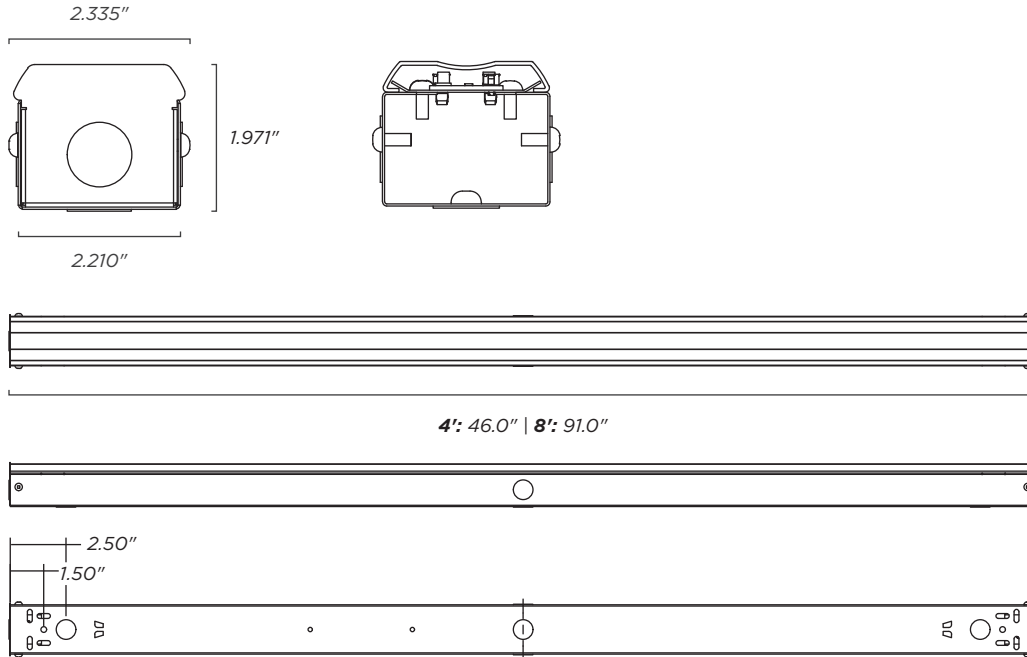
delviro energy

94 Brockport Drive, Toronto, Ontario, M9W 7J8 | Tel. 1.877.502.3434 | info@delviro.com | www.delviro.com

© delviro energy 2018

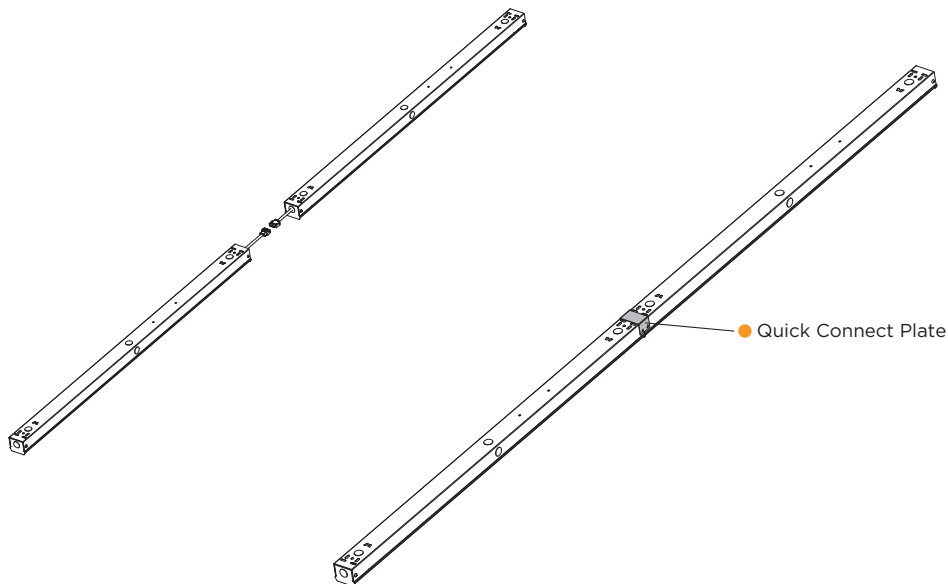
Specifications subject to change without notice.

DIMENSIONS



CONTINUOUS RUN OPTION

Quick Connect



delviro energy

94 Brockport Drive, Toronto, Ontario, M9W 7J8 | Tel. 1.877.502.3434 | info@delviro.com | www.delviro.com

© delviro energy 2018

Specifications subject to change without notice.

ORDERING GUIDE

MODEL	WATTS	COLOR TEMP	VOLTAGE	LENS	FINISH	MOUNTING
Zip 4	15, 20, 30, 40, 60	3K 3000K	U 120/277V	FRFL Frosted Flat	WH White	FM Flush Mount
Zip 8	40, 60, 80, 100, 120	35K 3500K	H 347/480V			V V Hooks
CU 96"		4K 4000K 5K 5000K				CR Continuous Run

				FRFL	WH	
--	--	--	--	-------------	-----------	--

WIRING	ACCESSORIES	TYPE	PLUG
BFC Black Flexible Cord WFC White Flexible Cord	N None OCC Occupancy Sensor DELBLD 5 Min 50% Delviro Sensor 10kV 10kV Surge Protection	FLT	N None *See Plug Options

		FLT	
--	--	------------	--

PLUG OPTIONS

- 5-15P** - 125V 15A T-Slot Plug
- L5-15P** - 125V 15A Locking Plug
- 5-20P** - 125V AC 20A T-Slot Plug
- L5-20P** - 125V 20A Locking Plug
- 6-15P** - 250V AC 15A 3W/2P Plug NEMA 6-15
- L6-15P** - 250V 15A Locking Plug
- 6-20P** - 250V AC 20A Plug
- L6-20P** - 250V 20A Locking Plug
- 7-15P** - 277V 15A 3W/2P NEMA 7-15 Plug
- L7-15P** - 277V 15A Locking Plug
- 7-20P** - 277V AC 20A Plug
- L7-20P** - 277V 20A Locking Plug
- 24-20P** - 347V AV 20A 3W/2P Plug NEMA 24-20
- L24-20P** - 347V 20A Locking Plug
- 24-15P** - 347V AC 15A 3W/2 Plug NEMA 24-15