

## SPECIFICATION SHEET

### SUBJECT

### LED AFL FLOOD LIGHTS

### CUSTOMER PROJECT

Project: \_\_\_\_\_  
Type: \_\_\_\_\_  
Cat. No.: \_\_\_\_\_  
Qty: \_\_\_\_\_  
Date: \_\_\_\_\_  
EEL Rep: \_\_\_\_\_



solutions closer to nature

Telephone: 905 415 8878 Fax Number: 905 415 8872 Toll Free Telephone: 855 415 8878 Toll Free Fax: 855 415 8872

### DESCRIPTION

The AFL series LED flood light integrates super-bright LED technology while taking advantage of a stylish, architectural profile and rugged die-cast aluminum design.



**LED AFL  
FLOOD LIGHTS**

### SPECIFICATION FEATURES

#### Construction

Die-cast aluminum housing with rubber gasket on back plate. Suitable for wet locations

#### Electrical

120-277 Volt and 347 Volt  
Operating Temperature -40°C to 40°C  
Power factor 0.90 min  
Total Harmonic distortion 20% max

#### Driver and Module Access

Modules located under the glass and driver located under the module plate

#### Mounting

Slipfitter or Trunnion  
Slipfitter is required when using wall mount adaptor or round pole adaptor.

#### Finish

Bronze

#### Reflectors

Custom engineered, mirrored anodized reflector

#### Shielding

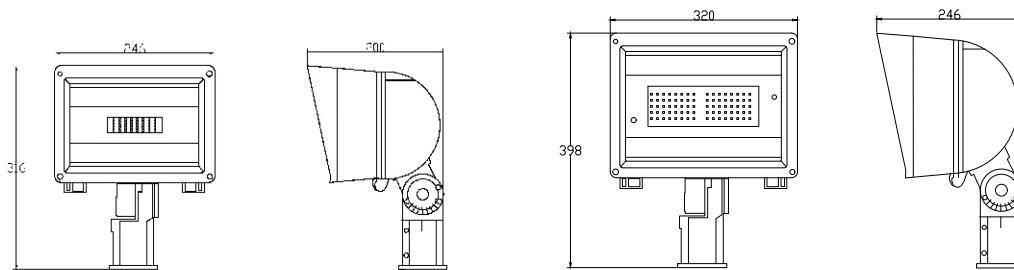
Tempered, impact-resistant, clear glass lens

#### Compliance

cETLus & DLC

#### Warranty

5 year / LM70 Life 50,000 Hours



#### AFL-90LED

##### Dimensions

mm | 246(L) x 316(H) x 200(D)  
inch | 9.7(L) x 12.4(H) x 7.9(D)

#### AFL-180LED









##### Dimensions

mm | 320(L) x 398(H) x 246(D)  
inch | 12.5(L) x 15.7(H) x 9.7(D)





**ORDERING CODE, ENERGY AND PERFORMANCE DATA**

	Model No.	Delivered Lumens (lm)	Input Watts (W)	Voltage (V)	Colour Temp. (K)	Efficacy (lm/W)	Certification	Type
	AFL-180LED-50K	19254	180	120-277 or 347	5000K	107		Special Order
	AFL-180LED-40K	18816	180	120-277 or 347	4000K	105		Standard
	AFL-90LED-50K	9764	90	120-277 or 347	5000K	108		Special Order
	AFL-90LED-40K	9327	90	120-277 or 347	4000K	104		Standard

NOTE:  
 • Lumens are estimate  
 • DLC qualified may not apply to all versions within a model. Please check the DLC Qualified Products List at [www.designlights.org](http://www.designlights.org) to confirm which versions are qualified.

**OPTIONAL ACCESSORIES**

- AFL-SLIP FITTER | Slip Fitter
- AFL-TMK | Trunnion Mount Kit
- AFL-RPA | 3.5" Round Pole Adaptor (Slipfitter required)
- AFL-WMA90DA | 7" Wall Mount Adaptor 90 Degrees Angled (Slipfitter required)

**SHIPPING DATA**

Model No.	Gross Weight
AFL-180LED	9.5 kg / 20.9 lbs
AFL-90LED	6.9 kg / 15.2 lbs



**Slipfitter 2.5"**  
(optional)



**Trunnion**  
(optional)



**3.5" Round Pole Adaptor**  
(optional)



**7" Wall Mount Adaptor (90° Angled)**  
(optional)



### MOUNTING ACCESSORIES

Slipfit mount, Trunnion mount Kit are mounting options for the EEL LED Area Light.

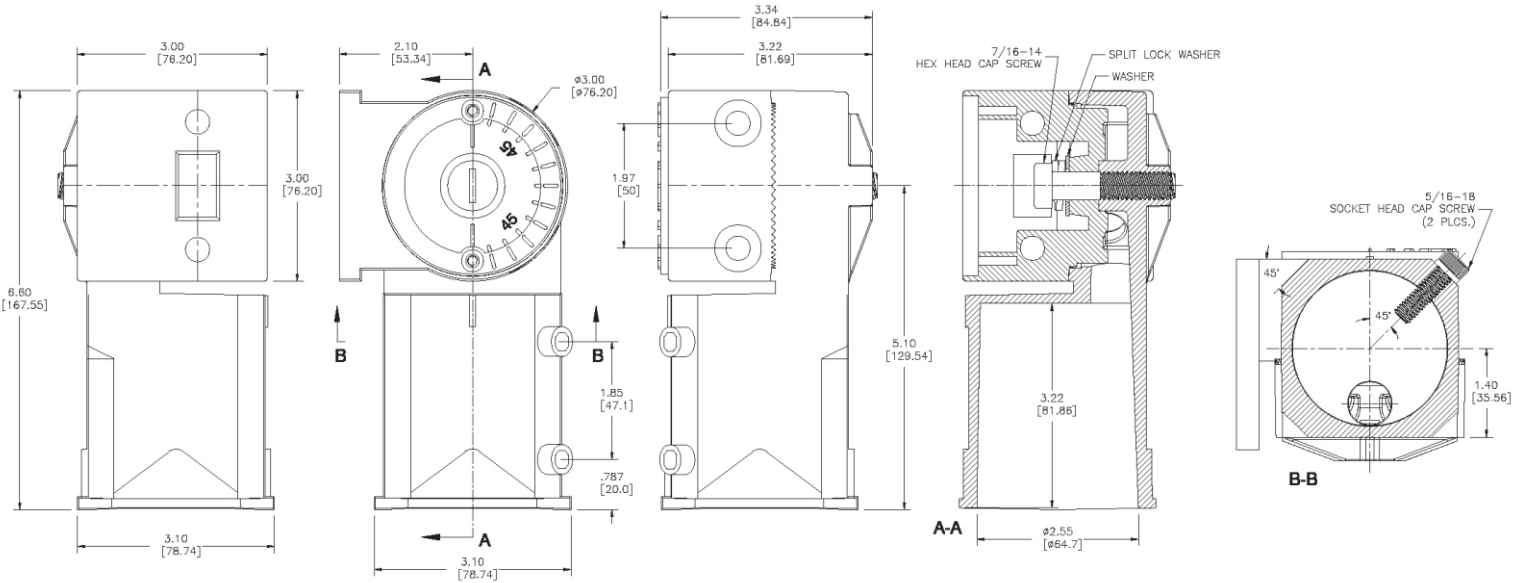
#### Option 1: Slipfitter (Optional)

The slipfitter easily attaches to the EEL LED flood light. It is suitable for pole mount applications.



AFL-SLIPFITTER

#### DIMENSIONS



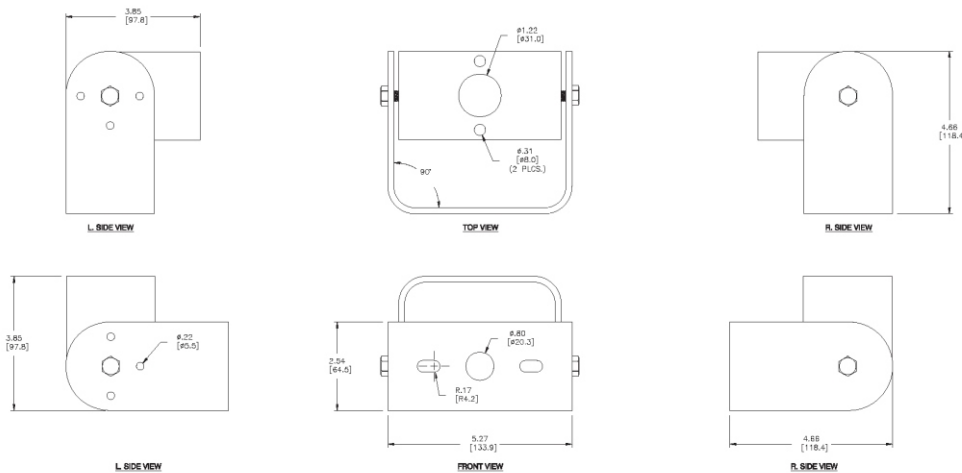
#### Option 2: Trunnion Mount Kit (Optional)

The trunnion mount kit easily attaches to the EEL LED flood light. It is suitable for ground or wall mount applications.



AFL-TMK

#### DIMENSIONS



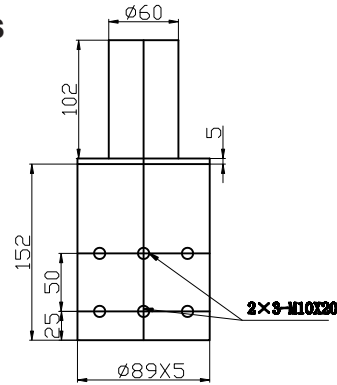


Option 3: Round Pole Adaptor (Optional)



AFL-RPA

DIMENSIONS



Option 4: Wall Mount Adaptor 90° Angled (Optional)



AFL-WMA90DA

DIMENSIONS

