

**SPECIFICATION SHEET**

**SUBJECT**

**LED AREA LIGHT ECONOMY**

**CUSTOMER PROJECT**

Project: \_\_\_\_\_  
 Type: \_\_\_\_\_  
 Cat. No.: \_\_\_\_\_  
 Qty: \_\_\_\_\_  
 Date: \_\_\_\_\_  
 EEL Rep: \_\_\_\_\_



Telephone: 905 415 8878 Fax Number: 905 415 8872 Toll Free Telephone: 855 415 8878 Toll Free Fax: 855 415 8872

**DESCRIPTION**

The new ALE Area Light model delivers maximum value by providing significant energy savings, long life and outstanding photometric performance at an affordable price. This fixture has an IK10 impact rating and is also IP66 rated. It is ideal for streets, parking lots, parks and pathways.

**SPECIFICATION FEATURES**

**Construction**

- Die-casting aluminum housing
- Photocell is optional for 120-277Vac.
- 3ft cord

**Finish**

- Dark Bronze Finish
- Anti-corrosion

**Warranty**

- 5-Year Warranty (Standard)
- 10-Year Limited Warranty (Optional)

**Compliance**

- cUL
- IP66
- IK10 (Impact Protection)
- DLC Premium
- Dark Sky Compliant

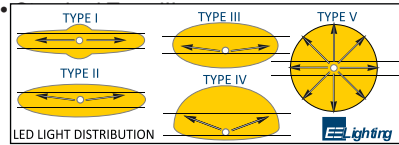


International Dark-Sky Association (IDA) Fixture Seal of Approval (FSA) is available for all products on this page utilizing 3000K color temperature, ALE-Extruded Arm and ALE-Visor only.

**Mounting**

- Slip Fitter Mount
- Round/Square Pole Mount
- Trunnion Mount
- Fixture Weight:  
 100W/150W = 11.68lbs/5.3kg  
 320W = 20.26lbs/9.19kg

**Beam Angle**



**EPA**

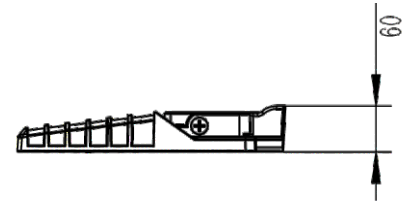
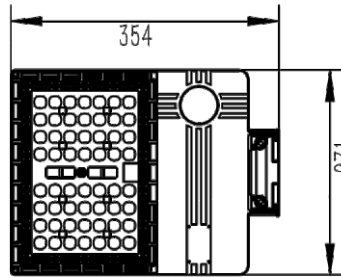
Watt	Single	2*180°	2*90°	3*90°	3*120°	4*90°
100W/150W	0.636	1.279	1.001	1.637	1.335	2.003
320W	1.012	2.036	1.592	2.604	2.125	3.187



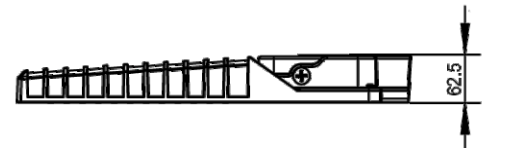
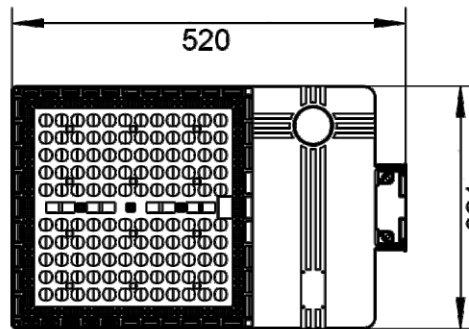
**LED AREA LIGHT ECONOMY (ALE)**

**AREA LIGHT SERIES**

Area Light Economy	
Wattage(s)	100W, 150W, 320W
Voltage	120-347V
Inherent Surge Protection	10kV
CRI	>70
Efficacy	137-150lm/W
Lumen Maintenance	L70 > 419,200h Lumen maintenance at 36,000 hrs = 95.56%
Operating Temperature	-40°C to 40°C



**ALE100W & 150W Dimensions**  
 mm | 354(L) x 271(W) x 60(H)  
 inch | 13.94(L) x 10.67(W) x 2.36(H)



**ALE320W Dimensions**  
 mm | 520(L) x 321(W) x 62.5(H)  
 inch | 20.47(L) x 12.64(W) x 2.46(H)



### ORDERING CODE, ENERGY AND PERFORMANCE DATA

	Model No.	Delivered Lumens (lm)	Input Watts (W)	Voltage (V)	Colour Temp. (K)	Efficacy (lm/W)	Certification	Type
	ALE-100W30K-III-NR-MV	15000	100	120-347	3000K	150		Standard
	ALE-100W40K-III-NR-MV	13441	96	120-347	4000K	140		Standard
	ALE-100W50K-III-NR-MV	13580	96	120-347	5000K	141		Standard
	ALE-150W30K-III-NR-MV	22500	150	120-347	3000K	150		Standard
	ALE-150W40K-III-NR-MV	20830	152	120-347	4000K	137		Standard
	ALE-150W50K-III-NR-MV	21579	156	120-347	5000K	139		Standard
	ALE-320W40K-III-NR-MV	42546	309	120-347	4000K	138		Standard
	ALE-320W50K-III-NR-MV	42942	309	120-347	5000K	139		Standard

- NOTE:**
- Lumens are estimated
  - Lumens may vary based on lens option
  - DLC qualified may not apply to all versions within a model. Please check the DLC Qualified Products List at [www.designlights.org](http://www.designlights.org) to confirm which versions are qualified.

Lumen Output	Lens Type	Back Light (B)	Up Light (U)	Forward Light (G)
100W	III	3	3	2
150W	III	3	3	2
320W	III	4	3	3

### OPTIONAL ACCESSORIES

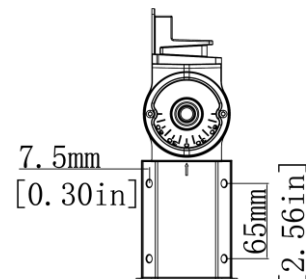
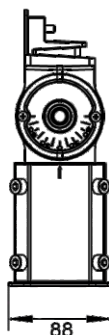
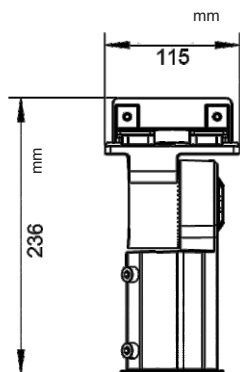
- ALE-SLIPFITTER | ALE-Slipfitter (only compatible with a fixture pole of Ø 60mm outer diameter)
- ALE-EXTRUDEDARMADJ | ALE-Extruded Arm Adjustable
- ALE-EXTRUDED ARM | ALE-Extruded Arm Fixed
- ALE-TRUNNION | ALE-Trunnion Mount Kit
- ALE-VISOR-S | ALE VISOR 100W & 150W
- ALE-VISOR-L | ALE VISOR 320W
- ALE-LENS-TYPE4-100150W | Lens Type 4 for 100W and 150W Area Light Economy
- ALE-LENS-TYPE5-100150W | Lens Type 5 for 100W and 150W Area Light Economy
- SPC1032 | PHOTO CELL (120-277V) (Note: Fixture will be rated IP65 upon installation of this sensor. Without the sensor, the fixture is rated Ip66.)



SPC1032



ALE-SLIPFITTER



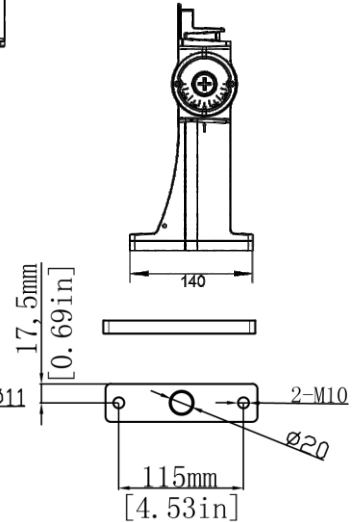
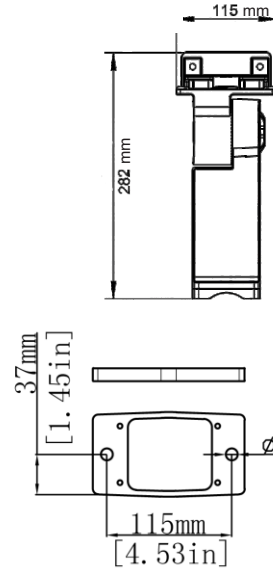
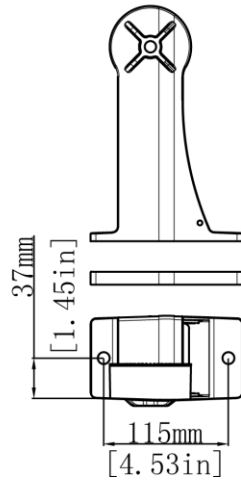
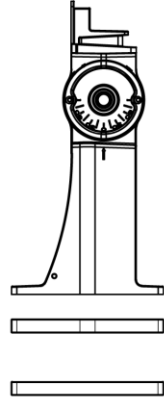
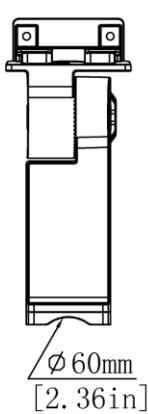
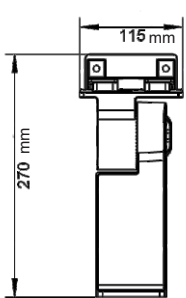
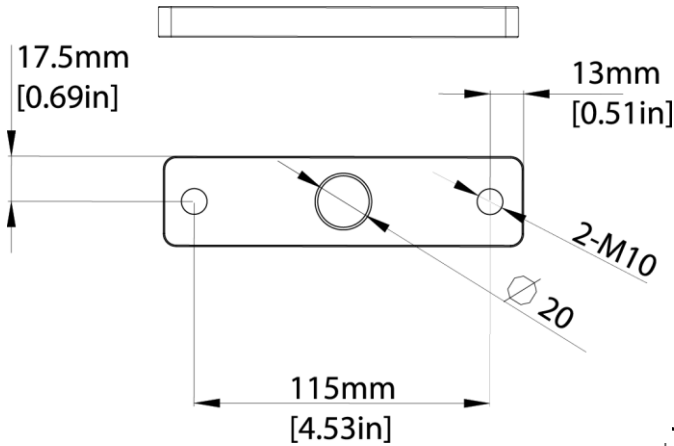
Note: Slip fitter is only compatible with a fixture pole of Ø 60mm outer diameter.



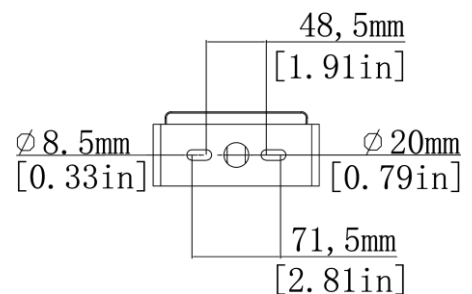
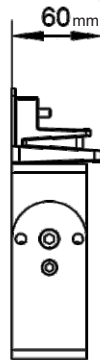
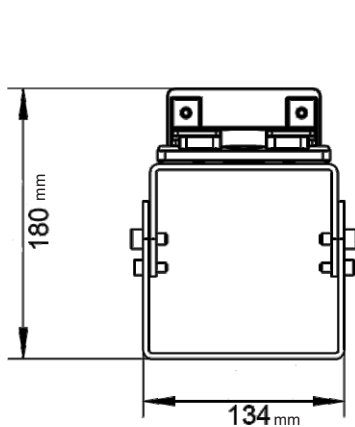
## Mounting Accessories



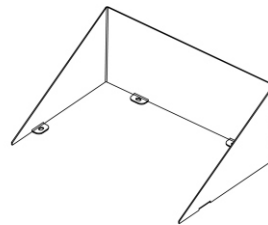
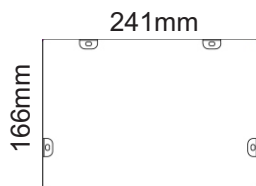
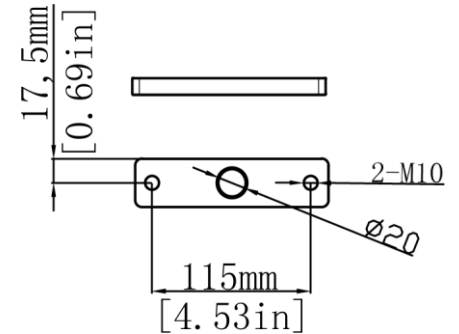
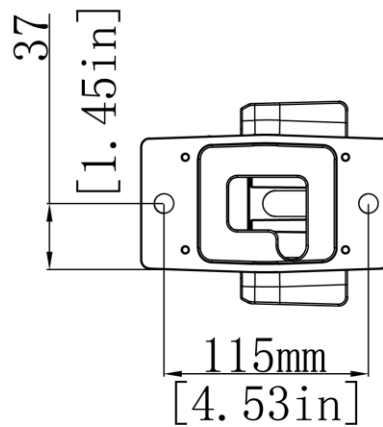
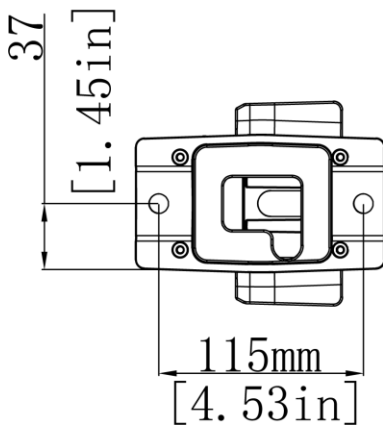
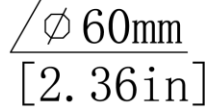
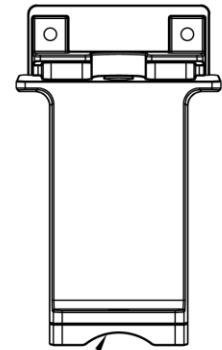
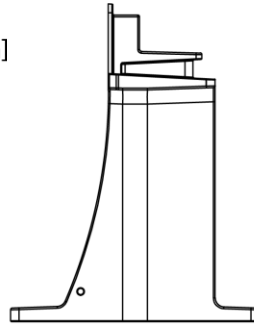
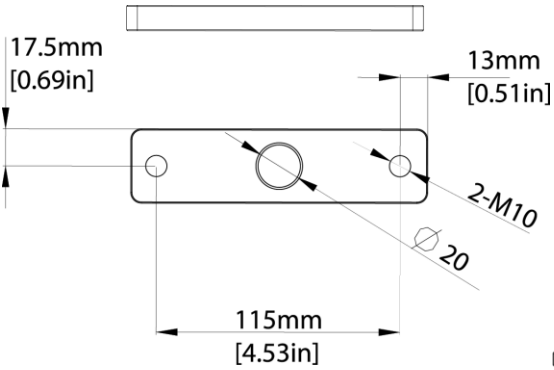
ALE-EXTRUDEDARMADJ



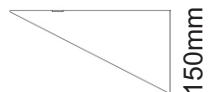
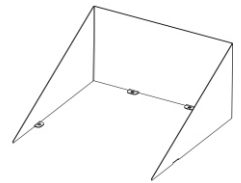
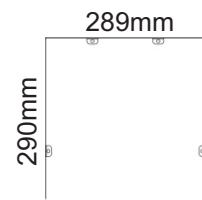
ALE-TRUNNION



## Mounting Accessories



ALE-VISOR-S



ALE-VISOR-L

