

**SPECIFICATION SHEET**

**SUBJECT**

**BULLS EYE GIMBAL LED RECESSED**

**CUSTOMER PROJECT**

Project: \_\_\_\_\_  
 Type: \_\_\_\_\_  
 Cat. No.: \_\_\_\_\_  
 \_\_\_\_\_  
 Qty: \_\_\_\_\_  
 Date: \_\_\_\_\_  
 EEL Rep: \_\_\_\_\_



**solutions closer to nature**

Telephone: 905 415 8878 Fax Number: 905 415 8872 Toll Free Telephone: 855 415 8878 Toll Free Fax: 855 415 8872

**DESCRIPTION**

The Bulls Eye Gimbal LED Recessed Luminaire fits where no other recessed fixture can. This recessed luminaire is dimmable, IC air tight rated, damp locations approved and Energy Star rated. Suitable for interior, accent, wall wash and sloped ceiling application.

**SPECIFICATION FEATURES**

**Construction**

Round fixture with integral LEDs. Durable, die cast aluminum alloy for optimal heat dissipation.

**Controls**

Isolated driver factory installed inside connection box

**Electrical**

Ambient temperature -40°C to 40°C  
 CRI:80  
 IC-Rated  
 120V dimmable  
 3000K  
 8 Watt equivalent to 50 Watt halogen  
 11 Watt equivalent to 75 Watt halogen

**Mounting**

Cut hole in ceiling and snap fixture in opening with attached spring clips. Clearance needed 2½" (65mm) for Romex, 3½" (89mm) for MC or BX installations.

**Finish**

White and Black. Oil based spray painted. Scratch resistant and smooth finish.

**Beam Angle**

40° Beam with 30° tilt and 360° rotation

**Compliance**

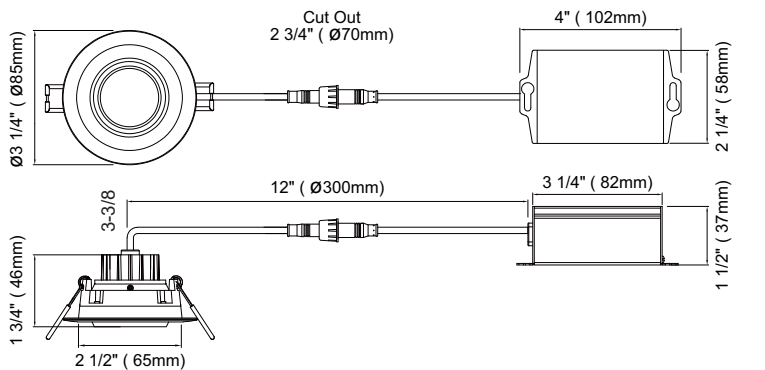
cETLus and Energy Star

**Warranty**

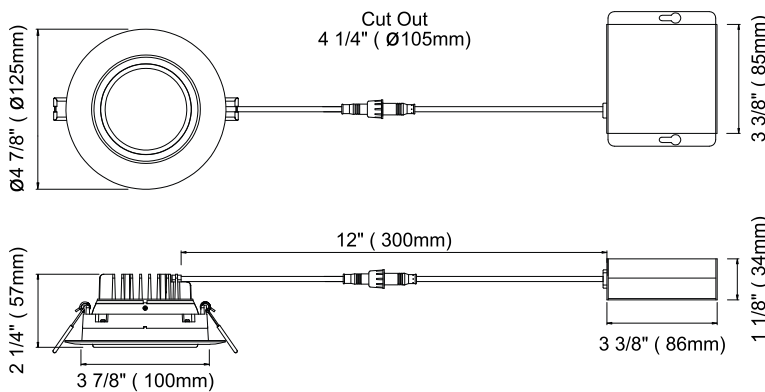
5 years, L70 > 50,000 hours



**3" and 4" GIMBAL LED RECESSED LUMINAIRE**



**BELED-3-S8W-3KWH-G**  
**Dimensions**  
 OD 3-3/8" (85mm) x ID 2-1/2" (65mm)  
 Cut out 2-3/4" (70mm)  
 Thickness 1-3/4" (46mm)











**BELED-4-S11W-3KWH-G**  
**Dimensions**  
 OD 4-7/8" (125mm) x ID 3-7/8" (100mm)  
 Cut out 4-1/4" (105mm)  
 Thickness 2-1/4" (57mm)





### ORDERING CODE, ENERGY AND PERFORMANCE DATA

	Model No.	Delivered Lumens (lm)	Input Watts (W)	Voltage (V)	Colour Temp. (K)	Certification	Type
	<b>BELED-3-S8W-3KWH-G</b> White	600	8	120V	3000K		Standard
	<b>BELED-3-S8W-3KBK-G</b> Black	600	8	120V	3000K		Standard
	<b>BELED-4-S11W-3KWH-G</b> White	1000	11	120V	3000K		Standard
	<b>BELED-4-S11W-3KBK-G</b> Black	1000	11	120V	3000K		Standard

**NOTE:**

- 120V dimmable
- Lumens are estimated

### OPTIONAL ACCESSORIES

- UTLED-3-GOOF RING | Goof Ring for 3" UltraThin
- UTLED-4-GOOF RING | Goof Ring for 4" UltraThin



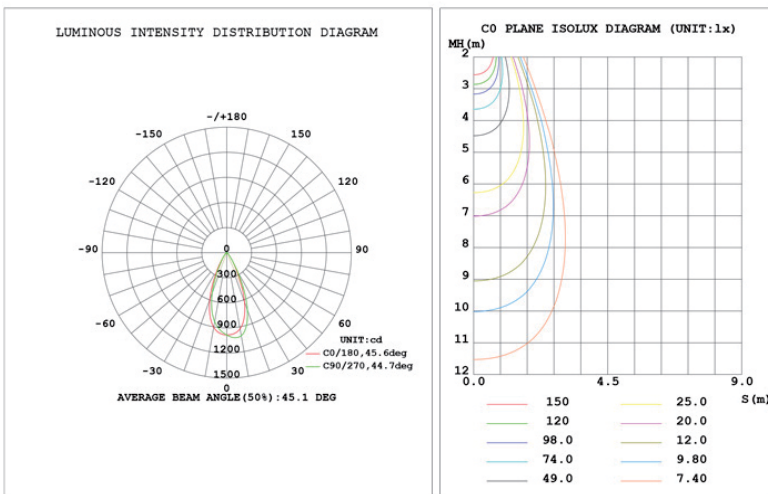
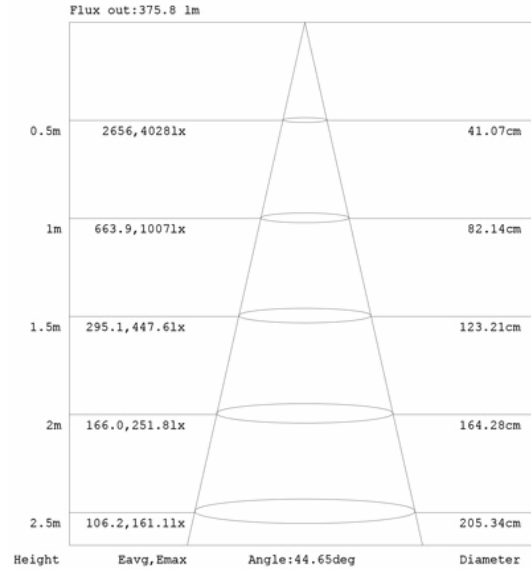


PHOTOMETRICS

**BELED-3-S8W-3KWH-G**

120V | 7.25W | Power Factor 0.9916  
87.25 LPW | Central Intensity 1022 CD

Test:U:119.9V I:0.0610A P:7.253W PF:0.9916 Lamp Flux:632.877x1 lm		Eff: 87.25 lm/W	
MODEL		I <sub>max</sub> (cd)	1022
NOMINAL POWER (W)	0	LOR (%)	100.0
RATED VOLTAGE (V)	120	TOTAL FLUX (lm)	632.88
NOMINAL FLUX (lm)	632.877	CIE CLASS	DIRECT
LAMPS INSIDE	1	η up (%)	0.0
TEST VOLTAGE (V)	120	η down (%)	100.0
		S/MH (C0/180)	0.70
		S/MH (C90/270)	0.65
		η UP, DN (C0-180)	0.0, 54.5
		η UP, DN (C180-360)	0.0, 45.5
		CIBSE SHR NOM	0.50
		CIBSE SHR MAX	0.70



**BELED-4-S11W-3KWH-G**

120V | 11.2W | Power Factor 0.985  
92 LPW | Central Intensity 1640 CD | Beam Angle 43°

