

SPECIFICATION SHEET

SUBJECT

6" LED DISK LIGHT SURFACE MOUNT

CUSTOMER PROJECT

Project: _____
 Type: _____
 Cat. No.: _____
 Qty: _____
 Date: _____
 EEL Rep: _____



Telephone: 905 415 8878 Fax Number: 905 415 8872 Toll Free Telephone: 855 415 8878 Toll Free Fax: 855 415 8872

SPECIFICATION FEATURES

Construction

- Aluminum housing painted white
- Frosted PC lens
- 1 size: 6-inch

Compliance

- cETLus
- Energy Star
- Suitable for wet locations

Control

- Driver is built inside the fixture
- DOB (driver on board) design

Warranty

- 5-Year Warranty (Standard)
- 10-Year Limited Warranty (Optional)

Mounting

- Surface Mount

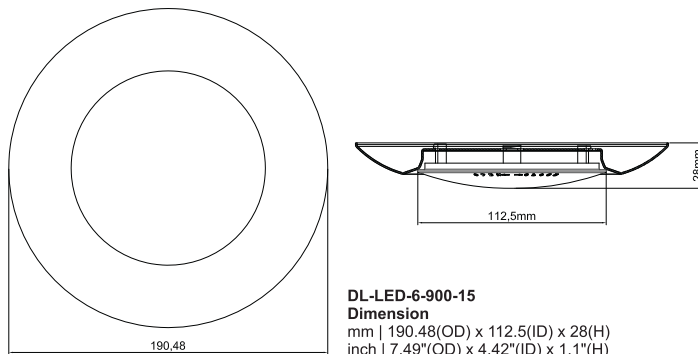


LED DISK LIGHT SURFACE MOUNT 6"

DISK LIGHT SERIES

LED Disk Light Surface Mount

Wattage(s)	15W
Voltage	120V
Dimmable	Yes
CCT	3000K, 4000K, 3CCT (Adj.)
CRI	80
Operating Temperature	-40°C to 40°C
Lumen Maintenance	L70 > 50,000h



ORDERING CODE, ENERGY AND PERFORMANCE DATA

	Model No.	Delivered Lumens (lm)	Input Watts (W)	Voltage (V)	Colour Temp. (K)	Efficacy (lm/W)	Certification	Type
	DL-LED-6-900-15-3000K - Legacy -	900	15	120	3000K	60		Standard
	DL-LED-6-900-15 (CCT Adj.)	980 1000 1020	15	120	2700K 3000K 4000K	65 67 68		Standard

NOTE:
 • Lumens are estimated

