

SPECIFICATION SHEET

SUBJECT

EMERGENCY DRIVER

CUSTOMER PROJECT

Project: _____
 Type: _____
 Cat. No.: _____
 Qty: _____
 Date: _____
 EEL Rep: _____



Telephone: 905 415 8878 Fax Number: 905 415 8872 Toll Free Telephone: 855 415 8878 Toll Free Fax: 855 415 8872

DESCRIPTION

The EMP-P4035 is a UL listed emergency LED driver. It is ideal for round high bays which the emergency output can wire to the led driver AC input of the high bay. The simple wiring allows customers to save around 70% time and labor cost.

SPECIFICATION FEATURES

Features

- Safety cable acts as second mounting point for safety
- Safeguards against surges and short circuits
- 2-in-1 waterproof LED test switch and indicator light
- Remote test switch is operable with distance of up to 90ft
- The integrated self-diagnostic circuitry will automatically conduct 1 monthly 30 seconds and annual 90 minute test to verify proper emergency capability per Life Safety Code requirement.

Compliance

- UL Listed
- IP65
- CEC Title 20
- UL924 Suitable for damp locations
- NFPA70
- RoHS Compliant

Warranty

- 5-Year Warranty



**EMP-P4035
EMERGENCY
DRIVER for CHBs**

EMERGENCY DRIVER

EMP-P4035	
Input Voltage	100-347 VAC, 50/60 Hz
Input Power	12W max
Input Current	200mA max
Output Power	25W max
Output Current	100mA max
Output Voltage	170 VDC
Power Factor	0.5
EMI (Radiated and Conducted)	FCC Class A (charge and EM modes)
Surge Protection	Meets ANSI/IEEE C62.41.2-2002
Recharge Time	24 hrs
Emergency Operation	90 minutes
Battery Type	Lithium
Ambient Temperature	41°F - 122°F (0~50°C)
Weight	7.3 lbs (3.3 kg)

ACCESSORIES



(8) wire nuts (2) hooks



(1) safety rope (1) chain link



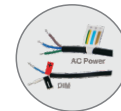
(1) flexible conduit 13"



(1) remote

SELF-DIAGNOSTIC

The unit contains a control/monitor circuit which will perform a 30 second discharge test once a month and a full 90-minute discharge test once a year. At this time, the unit simulates an AC power failure and automatically switches to emergency mode. During routine testing, the unit will monitor the operation of the LED load, battery voltage, and emergency duration. If the unit detects any problems, the indicator light will flash quickly.



- Emergency output wire to led driver AC input



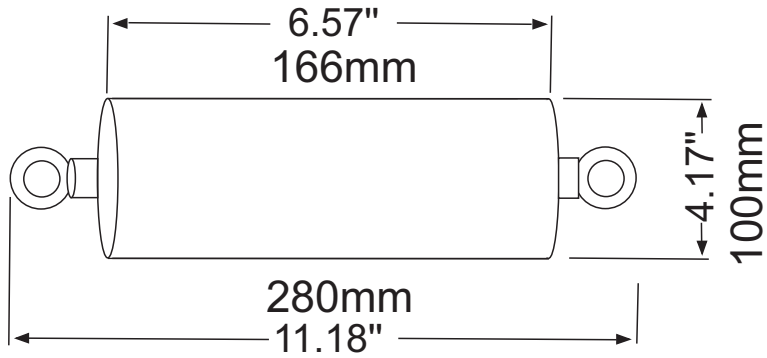
- 2-in-1, waterproof Led test switch and indicator light



- UL Listed Water-proof Flexible Conduit : 13"



DIMENSIONS



WIRING DIAGRAM

