

SPECIFICATION SHEET

SUBJECT

LED LHB HIGH BAY

CUSTOMER PROJECT

Project: _____
 Type: _____
 Cat. No.: _____

 Qty: _____
 Date: _____
 EEL Rep: _____



solutions closer to nature

Telephone: 905 415 8878 Fax Number: 905 415 8872 Toll Free Telephone: 855 415 8878 Toll Free Fax: 855 415 8872

DESCRIPTION

The LED Linear High Bay is an innovative product meeting high bay illumination requirements for industrial, warehouse, workshop, distribution centre, and retail applications. With excellent light efficiency and heat dissipation, users could expect maximized energy and cost savings.

SPECIFICATION FEATURES

Construction

Super slim and minimal design, one strip of die-casting 6063 aluminum alloy housing provides excellent thermal transfer to extend component life. 10 ft cord and 2 pcs of adjustable suspension wire included. Optional side by side connector and end to end connector link LHB fixtures together to double the performance.

Electrical

LED LHB High Bay has a high performance long life LED System completes with Meanwell electrical drivers for optimal performance, delivering up to 140 LPW with a CRI>70
 Color temperature options are 5000K and 4000K
 Ambient temperature -20°C to 50°C
 Electronic Drivers available in 100-277V and 200-480V
 0-10V dimmable
 L70 > 250,000h
 L₃₆₀₀₀ = 95.6%

Mounting

Suspension mount (come with a pair of length adjustable aircraft cable from 7.9inch/200mm minimum to 47.3inch/1200mm maximum) and surface mount

Finish

White stamping aluminum housing

Shielding

Transparent polycarbonate lens standard.
 Frosted lens optional.

Beam Angle

Standard Type V (120°)
 Optional Type II (30°) and IV (90°) available.
 Type III (60°), double asymmetric 2x20° and single asymmetric 20° - Special Order

Compliance

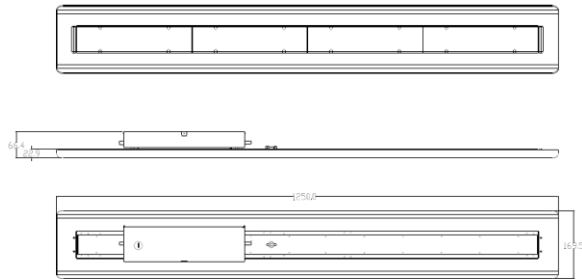
cULus, DLC

Warranty

5 years



LED LINEAR HIGH BAY



LHB-240 / LHB-200 / LHB-150 / LHB-100
Dimensions
 mm | 1250(L) x 170(W) x 66(D)
 inch | 49.2(L) x 6.7(W) x 2.6(D)



Back View



Short Side View





ORDERING CODE, ENERGY AND PERFORMANCE DATA

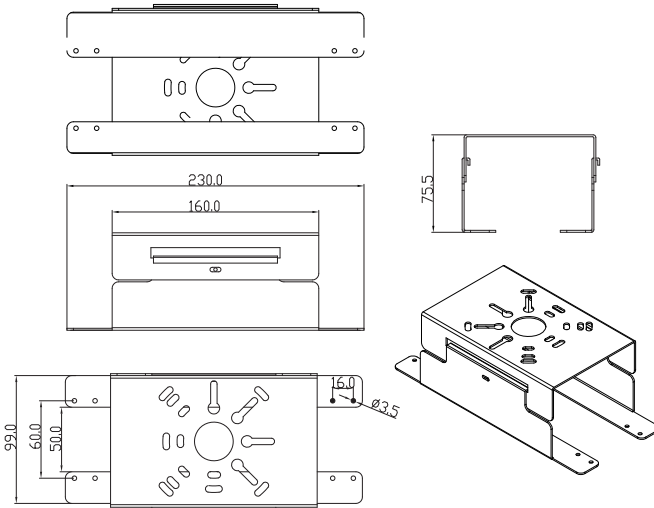
Model No.	Delivered Lumens (lm)	Input Watts (W)	Voltage (V)	Colour Temp. (K)	Efficacy (lm/W)	Certification	Type
LHB-240LED-50K-120M-V-D LHB-240LED-50K-347-V-D	32207 33358	237 242	100-277 200-480	5000K 5000K	136 138	UL US DLC	Standard Standard
LHB-240LED-40K-120M-V-D LHB-240LED-40K-347-V-D	31682 32829	236 242	100-277 200-480	4000K 4000K	134 136	UL US DLC	Standard Standard
LHB-200LED-50K-120M-V-D LHB-200LED-50K-347-V-D	28391 28391	202 202	100-277 200-480	5000K 5000K	141 141	UL US DLC	Standard Special Order
LHB-200LED-40K-120M-V-D LHB-200LED-40K-347-V-D	27929 27929	201 201	100-277 200-480	4000K 4000K	139 139	UL US DLC	Standard Special Order
LHB-150LED-50K-120M-V-D LHB-150LED-50K-347-V-D	22054 20901	154 146	100-277 200-480	5000K 5000K	142 143	UL US DLC	Standard Standard
LHB-150LED-40K-120M-V-D LHB-150LED-40K-347-V-D	21695 20570	154 143	100-277 200-480	4000K 4000K	141 144	UL US DLC	Standard Standard
LHB-100LED-50K-120M-V-D LHB-100LED-50K-347-V-D	14876 13402	103 93	100-277 200-480	5000K 5000K	144 145	UL US DLC	Standard Standard
LHB-100LED-40K-120M-V-D LHB-100LED-40K-347-V-D	14525 13190	102 93	100-277 200-480	4000K 4000K	142 142	UL US DLC	Standard Standard

NOTE:

- Lumens are estimated
- Lumens may vary based on lens option
- DLC qualified may not apply to all versions within a model. Please check the DLC Qualified Products List at www.designlights.org to confirm which versions are qualified.

OPTIONAL ACCESSORIES

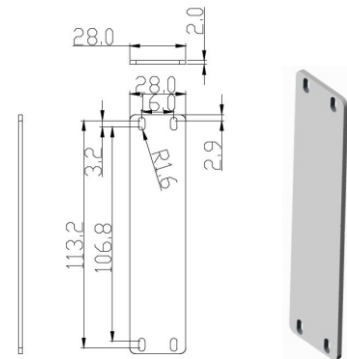
- LHB-SMB | Surface Mount Bracket for LHB
- LHB-30LENS | 30 Degree Optical Lens for LHB
- LHB-90LEDS | 90 Degree Optical Lens for LHB
- LHB-TYPE V FL | Type V Frosted Lens for LHB
- LHB-SBSC | Side-by-Side Connector for LHB
- LHB-ETEC | End-to-End Connector for LHB



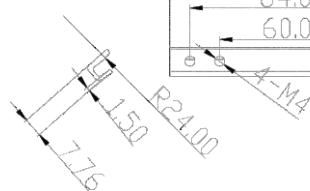
LHB-SMB | Surface Mount Bracket for LHB



Aircraft Cable



LHB-SBSC | Side-by-Side Connector for LHB

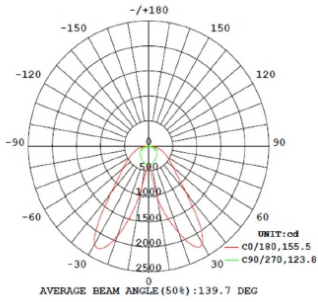


LHB-ETEC | End-to-End Connector for LHB

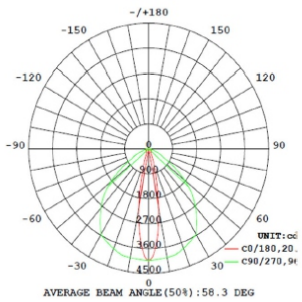




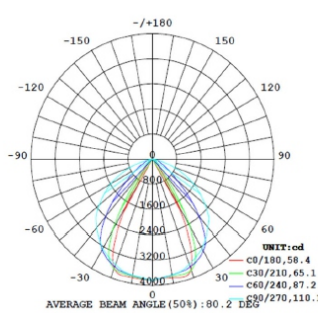
PHOTOMETRICS



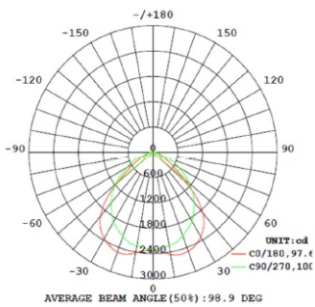
Double Asymmetric 2x20°



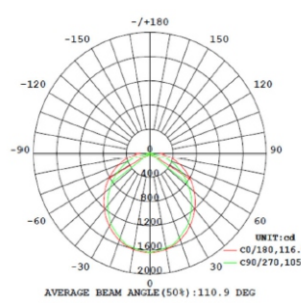
30°



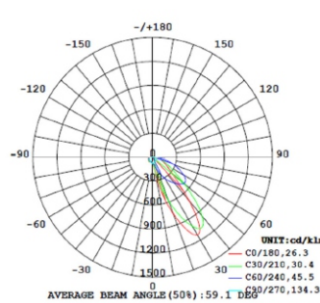
60°



90°



120°



Single Asymmetric 2x20°

