



FL5 SERIES FLOOD LIGHT

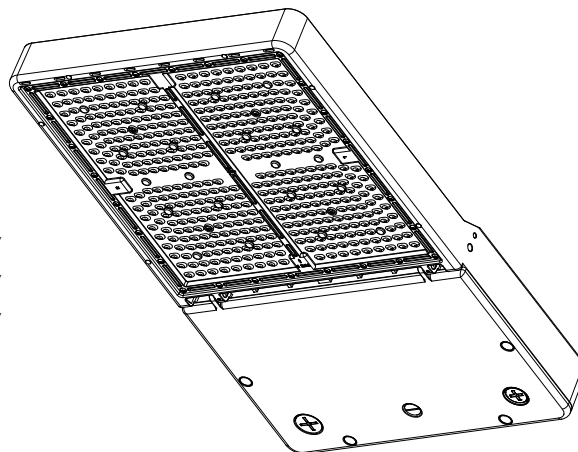
INSTALLATION INSTRUCTIONS FOR

FL5-0804XX-Y FL5-2504XX-Y FL5-150G3XX-Y FL5-150G5XX-Y
FL5-1004XX-Y FL5-3004XX-Y FL5-300G3XX-Y FL5-300G5XX-Y
FL5-1504XX-Y FL5-4504XX-Y FL5-450G3XX-Y FL5-450G5XX-Y
FL5-2004XX-Y

NOTE

XX = Lens can be T5, T4, T3, T2

Y = Voltage can be; “-1” for 120-277V, “-3” for 120-347V or “-2” for 277-480V



WHAT'S IN THE BOX

- FL5 fixture • Pre-installed 1m power cord

WHAT YOU'LL NEED

- Wiring supplies as per national and local electrical codes
- Hex bit drivers to attach mounts
- Hardware and tools required to mount to structure (field provided)

One of the following mounts are required:

- A. Trunnion (FL5-TR / FL5-TR-XL)
- B. Yoke (FL5-YK-S / FL5-YK-M / FL5-YK-L / FL5-YK-XL)
- C. Slip Fitter (FL5-SF / FL5-SF-XL)
- D. Mounting Arm (FL5-MA / FL5-MA-XL)
- E. Fixed Arm (FL5-FM / FL5-FM-XL)

IMPORTANT

Before installing fixture, read all instructions and retain for future reference. The important instructions and safeguards that appear in this document are not inclusive of all possible conditions and situations that may occur. It must be understood that common sense, caution, and care are factors that cannot be built into a product. These factors must be supplied by those that care and operate the fixture. Consider a qualified licensed electrician for installation.

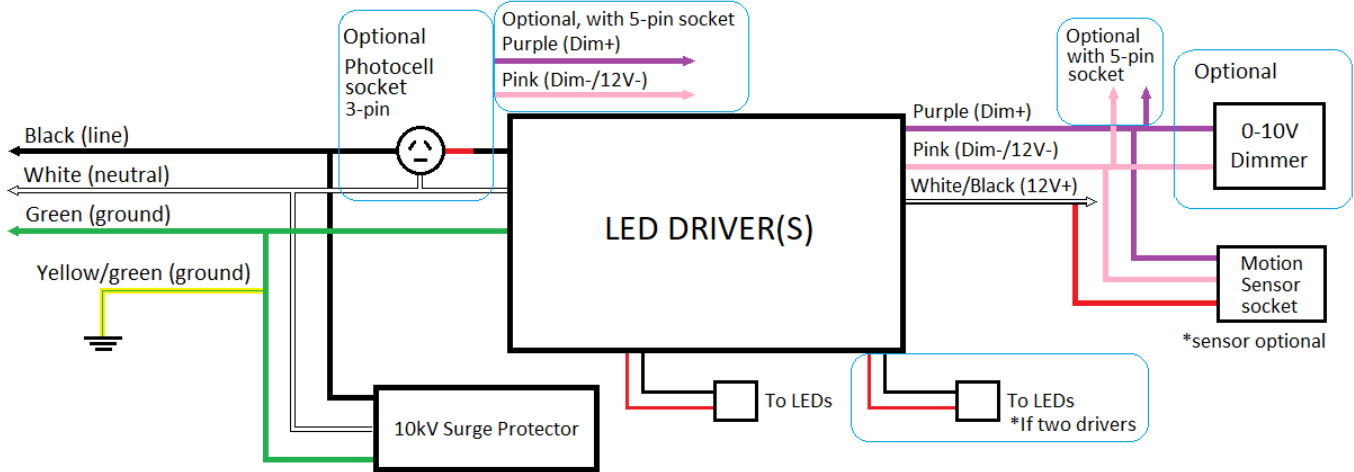
For additional information required not covered in this document please contact a local representative.



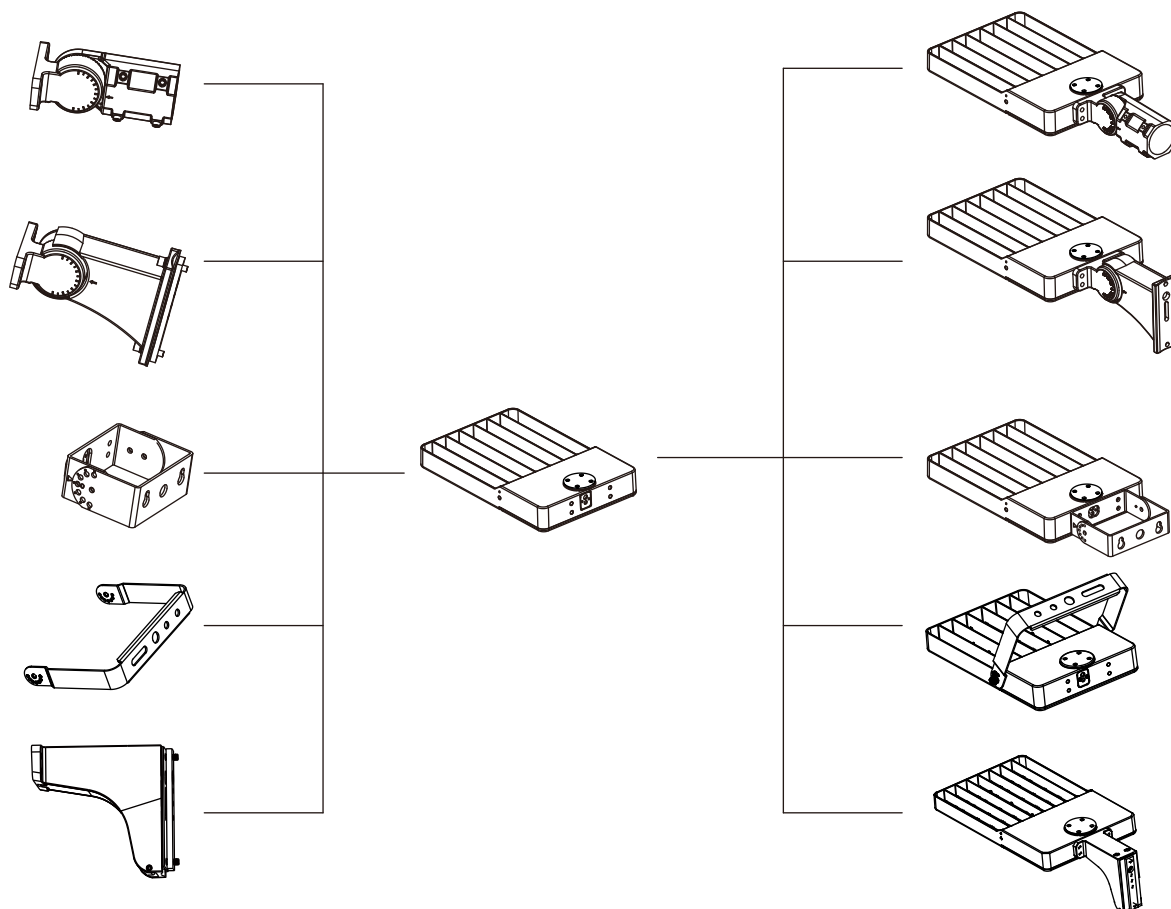
WARNING AND SAFETY

- Risk of electric shock!
- To avoid damage, do not install on rainy days!
- Ensure power is OFF at the electrical panel before starting installation or maintenance
- Verify site supply voltage matches luminaire product label
- Ensure wiring connections are not exposed during operation
- Modifications to the product will void warranty
- Ambient temperature range under normal operation not to exceed -40°C to 45°C (-40°F to 113°F)
- Minimum supply 75°C supply conductors
- Wiring to fixture must be in accordance with the National Electrical Code and all applicable local electrical and safety regulations

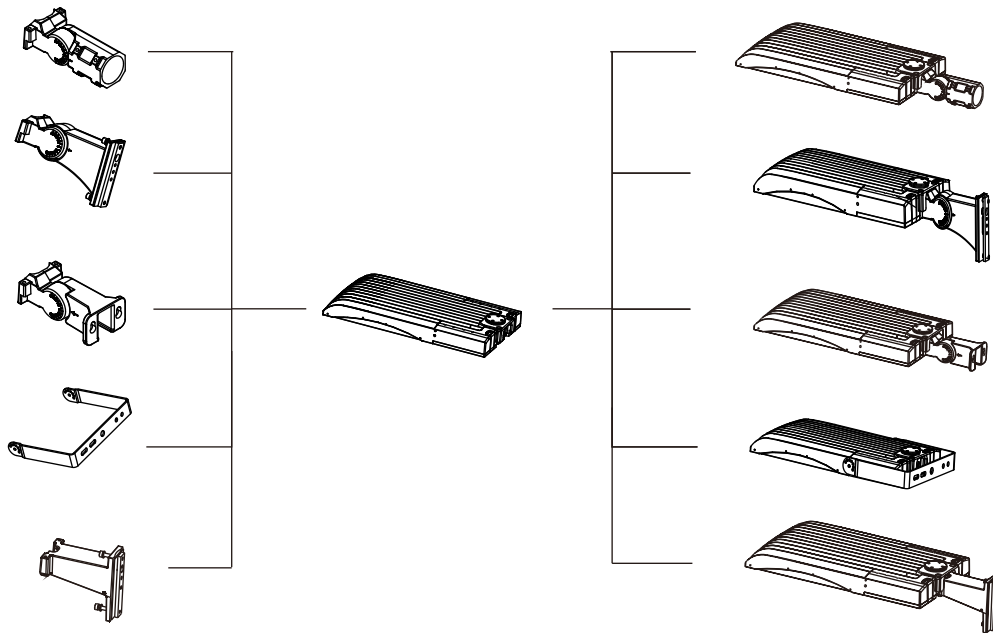
WIRING SCHEMATIC FOR ALL MODELS



MOUNTING ACCESSORIES TO FIXTURE INSTALLATION (ORDERED SEPARATELY)



MOUNTING ACCESSORIES TO FIXTURE INSTALLATION (ORDERED SEPARATELY)



TRUNNION MOUNT

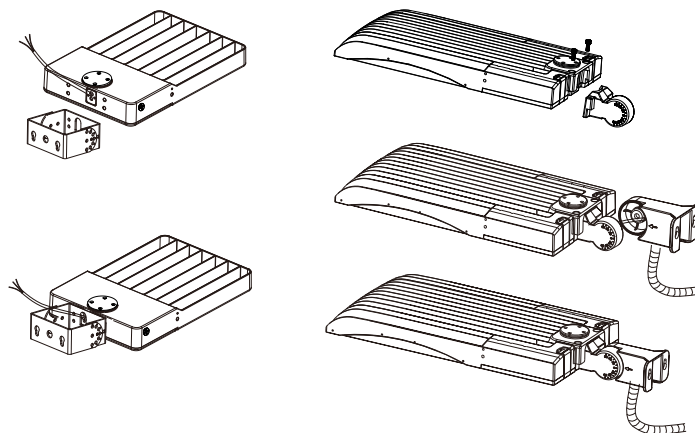
FL5-TR (80W to 300W) & FL5-TR-XL (450W)

1

Pass the fixture cord through the trunnion. For FL5-TR-XL separate trunnion first.

2

Attach trunnion mount to fixture with provided hardware and adjust as required.

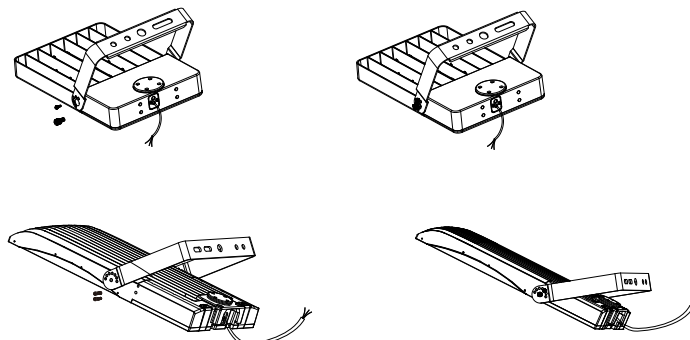


YOKE MOUNT

FL5-YK-S (80W/100W) & FL5-YK-M (150W/200W), FL5-YK-L (240W/300W), FL5-YK-XL (450W)

1

Attach yoke mount to fixture with provided hardware and adjust as required.



SLIP FITTER MOUNT

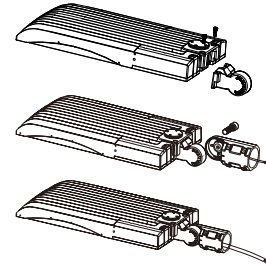
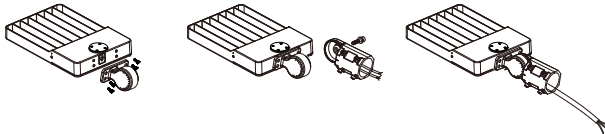
FL5-SF (80W to 300W), FL5-SF-XL (450W)

1
Separate the slip fitter into two pieces.

2
Feed the fixture cord through the slip fitter that will mount to the fixture.

3
Attach the slip fitter half from Step 2 to the fixture with provided hardware and pass the cord through the other slip fitter half.

4
Screw the slip fitter together and adjust angle as required.



MOUNTING ARM MOUNT

FL5-MA (80W to 300W), FL5-MA-XL (450W)

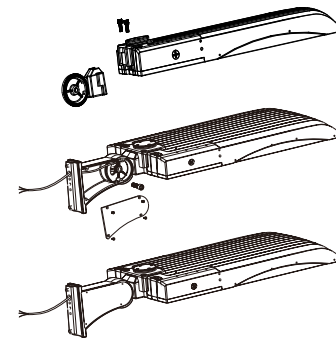
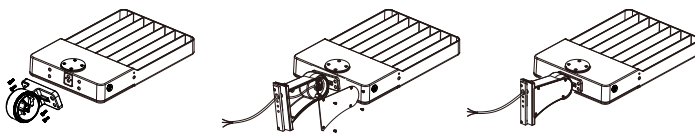
1
Remove and retain the access plate and separate the mounting arm into two pieces.

2
Feed the fixture cord through the half of mounting arm that will mount to the fixture.

3
Attach the mounting arm half from Step 2 to the fixture with provided hardware and pass the cord through the other mounting arm half.

4
Adjust the mounting arm as required.

5
Screw the mounting arm together, reattach access plate ensuring gasket placement.



FIXED ARM MOUNT

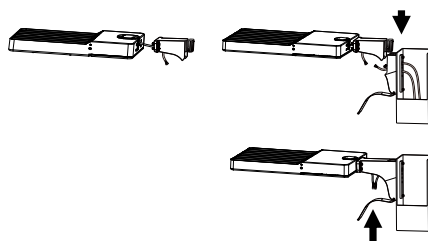
FL5-FM (80W to 300W)

1
Remove and retain screws to separate the fixed arm into two pieces.

2
Feed the fixture cord through the half of fixed arm that will mount to the fixture.

3
Attach the fixed arm half from Step 2 to the fixture with provided hardware, slide the two fixed arm pieces together and secure with retained screws from Step 1.

4
Pass the cord through the other fixed arm half, and close the access plate.

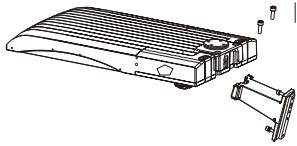


FIXED ARM MOUNT CON'T

FL5-FM-XL (450W)

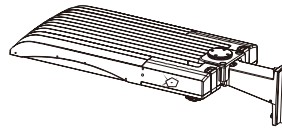
1

Open access plate and feed the fixture cord through the fixed arm section closest to the fixture.



2

Slide fixture onto the fixed arm and secure to the fixture with provided hardware.



3

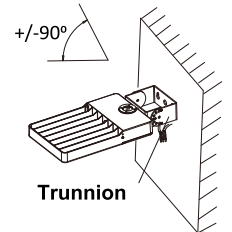
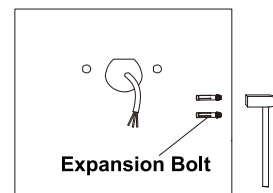
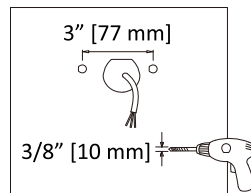
Pass the cord through the fixed arm, and close the access plate.

MOUNT TO STRUCTURE INSTALLATION

TRUNNION MOUNT

1

Use trunnion or indicated hole spacing to mark spacing required on surface.

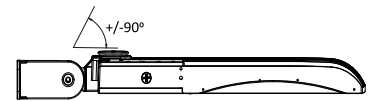
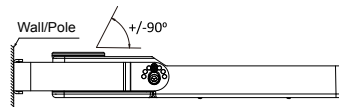


2

Drill holes and attach trunnion mount to surface with hardware as required.

Note: surface mounting hardware field provided.

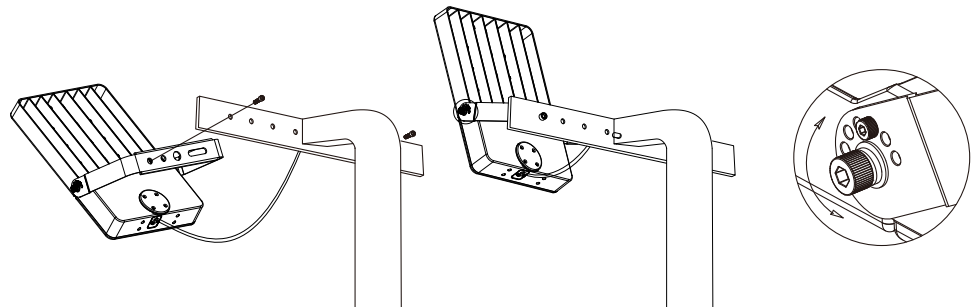
Note: loosen sides of trunnion to adjust angle up to 90° from vertical, tighten once angle is set.



YOKE MOUNT

1

Use yoke or indicated hole spacing to mark spacing required on surface.

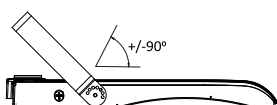
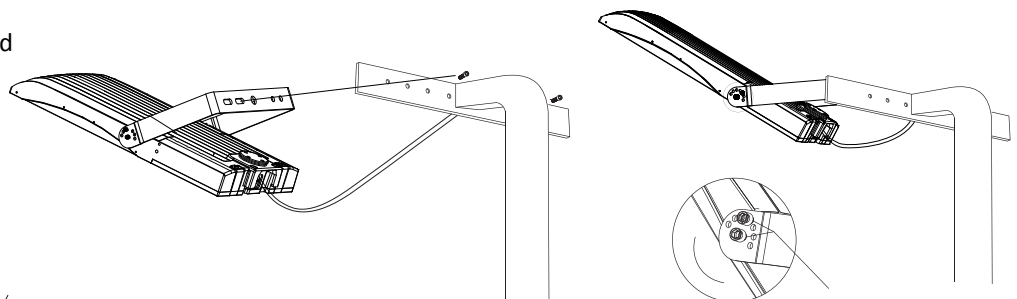


2

Attach yoke mount to surface with hardware as required.

Note: surface mounting hardware field provided.

Note: loosen sides of yoke to adjust angle up to 90° from vertical, tighten once angle is set.

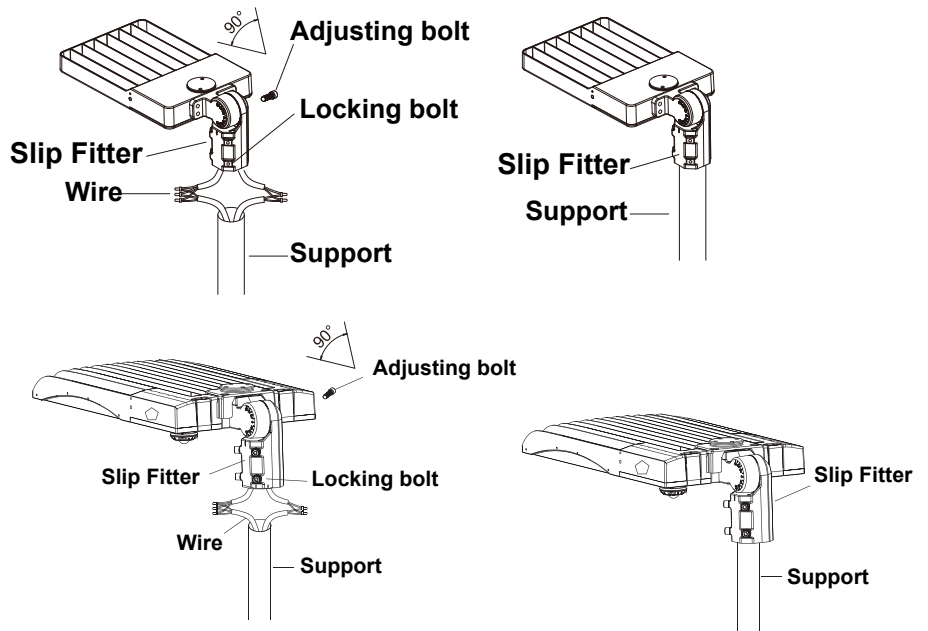


MOUNT TO STRUCTURE INSTALLATION CON'T

SLIP FITTER MOUNT

1 With slip fitter attached to fixture, refer to attached wiring diagram to complete connections.

2 Loosen slip fitter mounting screws and mount onto a 2" to 2-3/8" tenon. Tighten slip fitter mounting hardware to secure
Note: loosen slip fitter bolt to adjust angle up to 90° from vertical, tighten once angle is set.



MOUNTING ARM MOUNT

1 Remove and retain install plate, hardware, flat and curved gaskets. As necessary, remove and retain the access cover, screws and gasket for wiring or mounting.

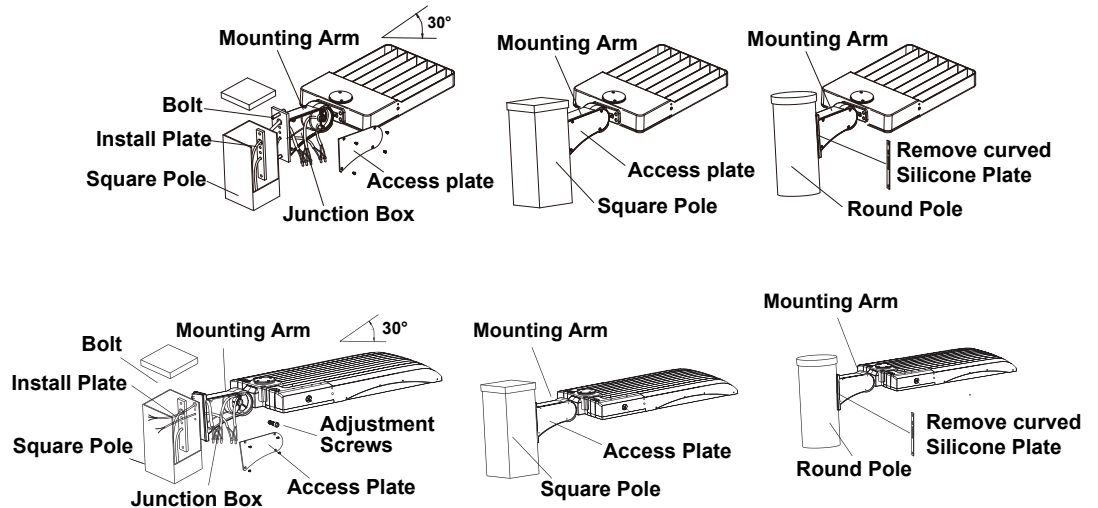
4 To mount; line-up install plate with drilled holes inside of pole. For a square pole, align mounting arm outside of pole keeping both retained gaskets between pole and mounting arm and using provided hardware fasten install plate and mounting arm together. For a round pole, the curved gasket is not required, but flat gasket to remain when fastening.
Note: curve of mounting arm can mount onto 4" and 5" round poles.

2 Use install plate or indicated hole spacing to mark holes as required on pole.
Note: top hole must be used, plus one of four small holes below (large hole is for wiring).

5 Refer to attached wiring diagram to complete connections.

3 Drill screw holes and wiring hole through pole as required.

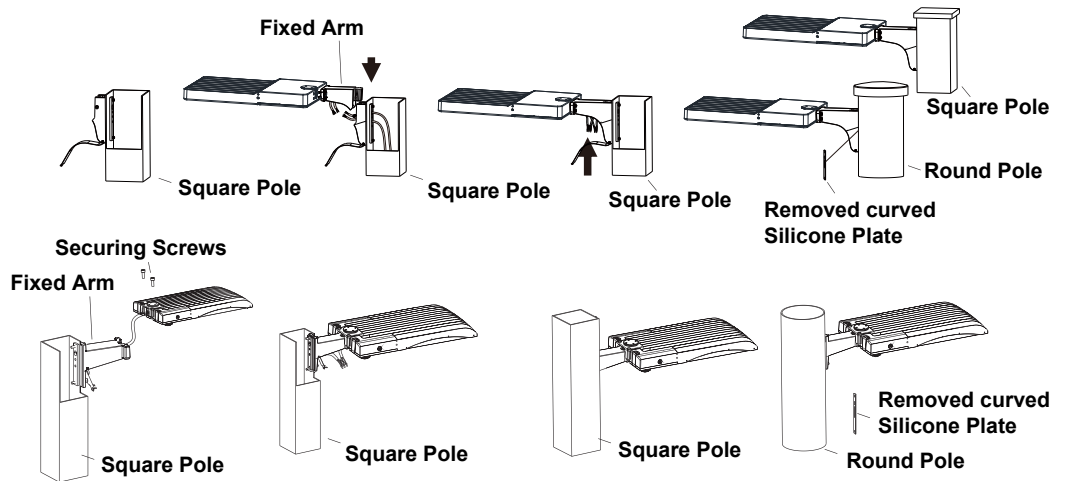
6 Adjust the mounting arm as required (up to 30° above horizontal).



FIXED ARM MOUNT

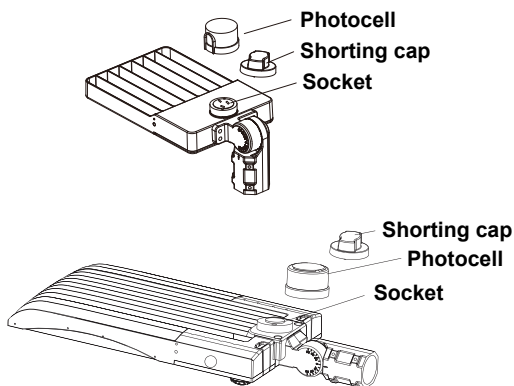
Note: fixed arm mount is required to meet IDA Dark Sky or DLC LUNA approval

- 1** Remove and retain install plate, hardware, flat and curved gaskets.
- 2** Use install plate or indicated hole spacing to mark holes as required on pole.
Note: top hole must be used, plus one of four small holes below (large hole is for wiring).
- 3** Drill screw holes and wiring hole through pole as required.
- 4** To mount; line-up install plate with drilled holes inside of pole. For a square pole, align fixed arm outside of pole keeping both retained gaskets between pole and fixed arm and using provided hardware fasten install plate and fixed arm together. For a round pole, the curved gasket is not required, but flat gasket to remain when fastening.
Note: curve of fixed arm can mount onto 4" and 5" round poles.
- 5** Refer to attached wiring diagram to complete connections.
- 6** Close access plate.



CONTROLS AND OPERATION

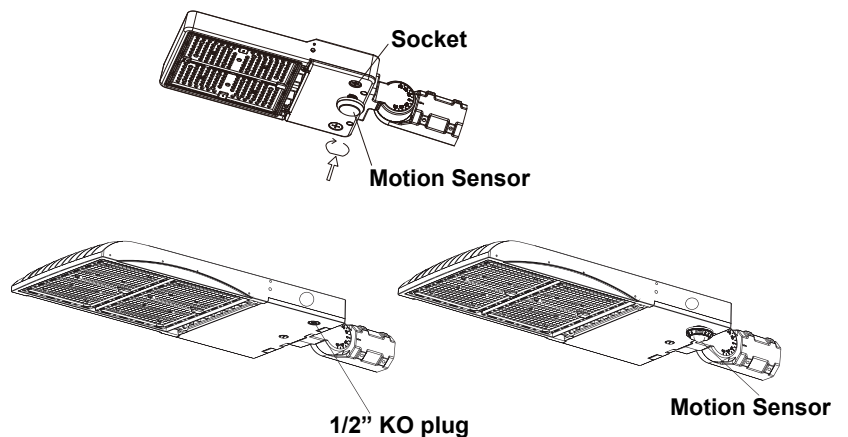
PHOTOCELL



- On-Off: **JL-205C** (120-277V, 120W+ only),
JL-207C (120-277V), **JL-207F** (120-480V)
Dimming: **JL-242C** (120-277V), **JL-242F** (347-480V)
Shorting cap: **JL-208** (120-480V)
1) Twist-lock to install photocell or shorting cap onto the socket.

Note: Photocell or shorting cap must be installed for fixture to operate.

MOTION SENSORS



- FL5-MS** (Microwave), **FL5-MSP** (PIR)
1) Remove 1/2" knockout plug on front face of fixture.
2) Screw sensor with silicone gasket in place until tight.
Note: **RC02** required to operate.

RC02 – REMOTE FOR FL5-MS & FL5-MSP

See specification sheet for detailed instructions



SCAN TO
DOWNLOAD



GLARE SHIELDS

80W to 300W MODELS

1

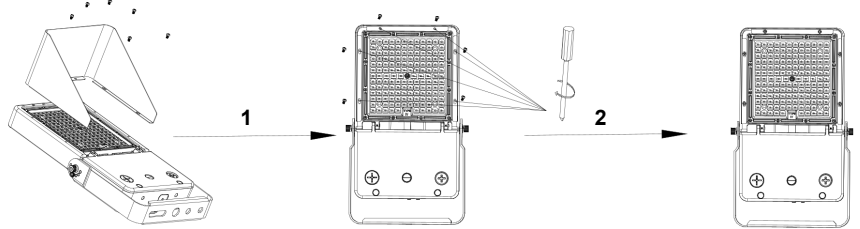
Attach shields as shown with provided screws.

Note: glare shield can be installed in the front or back position, but not both combined.

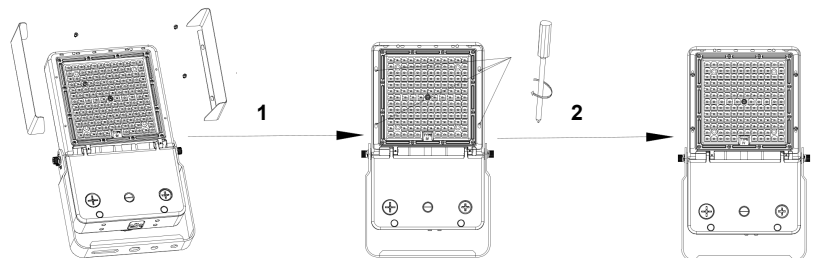
Note: side shield can be installed on either side.

Note: each shield is sold separately.

GLARE SHIELD



SIDE GLARE SHIELD



- 80W/100W: **FL5-SHIELD-S**
- FL5-SHIELD-SIDE-S**
- 150W/200W: **FL5-SHIELD-M**
- FL5-SHIELD-SIDE-M**
- 240W/300W: **FL5-SHIELD-L**
- FL5-SHIELD-SIDE-L**

450W MODELS

1

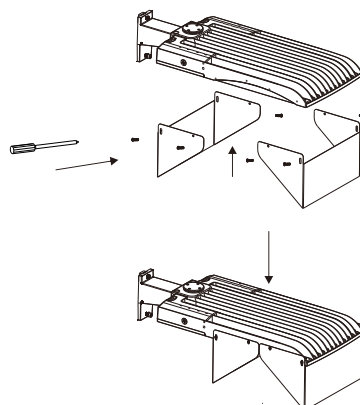
Attach shields as shown with provided screws.

Note: glare shield can be installed in the front or back position, or combined.

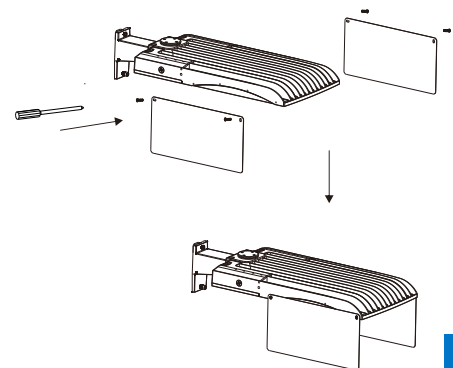
Note: side shield can be installed on either side.

Note: each shield is sold separately.

GLARE SHIELD



SIDE GLARE SHIELD



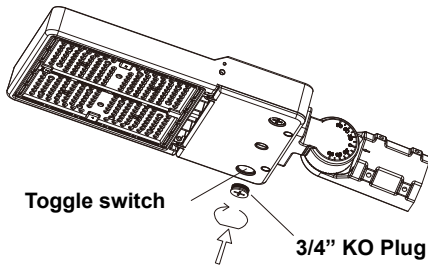
- 450W: **FL5-SHIELD-XL**
- FL5-SHIELD-SIDE-XL**

ADJUST POWER (W)

150W & 300W MODELS

1

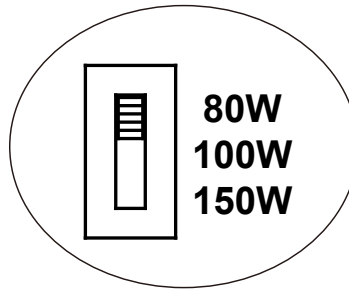
Remove and retain $\frac{3}{4}$ " knockout plug on front face of fixture.



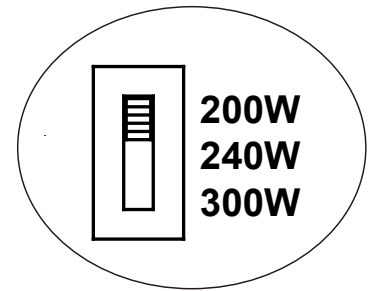
2

Adjust power toggle switch and once selected, replace retained $\frac{3}{4}$ " knockout plug.

150W



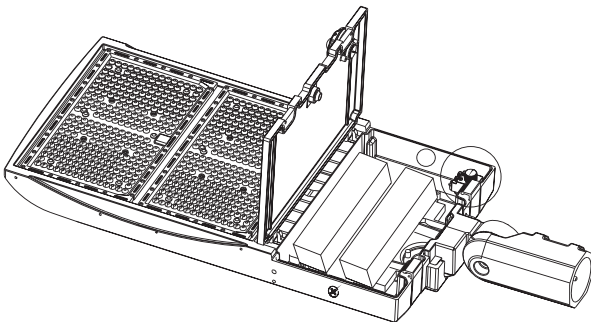
300W



450W MODELS

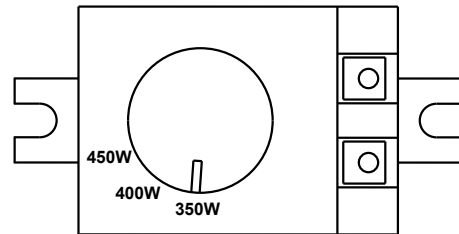
1

Remove and retain screws to open the fixture access cover.



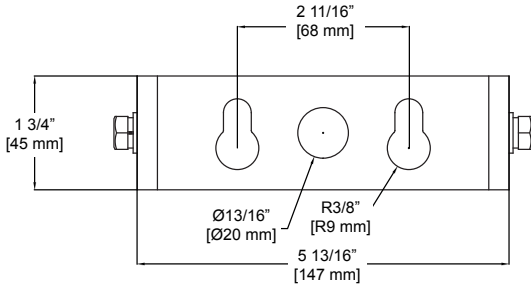
2

Adjust power select dial and once selected, close cover with retained screws.

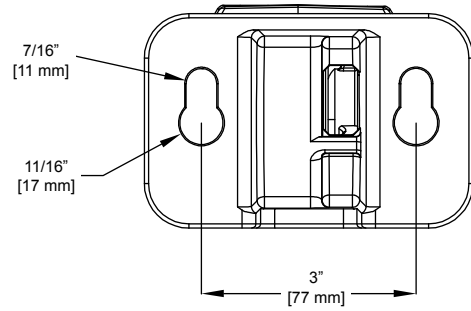


MOUNTING DETAILS

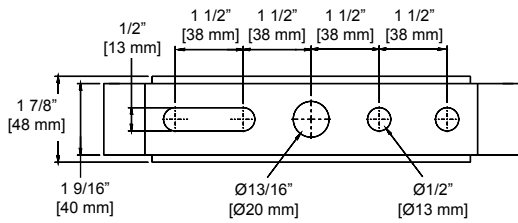
FL5-TR



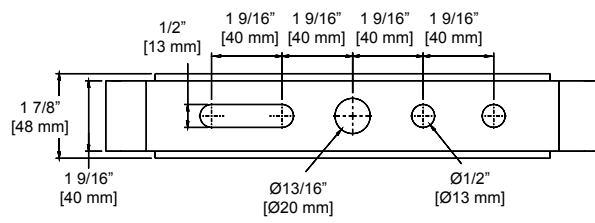
FL5-TR-XL



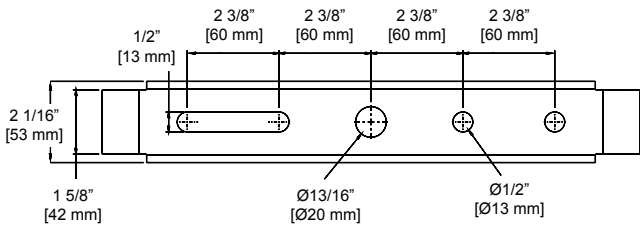
FL5-YK-S



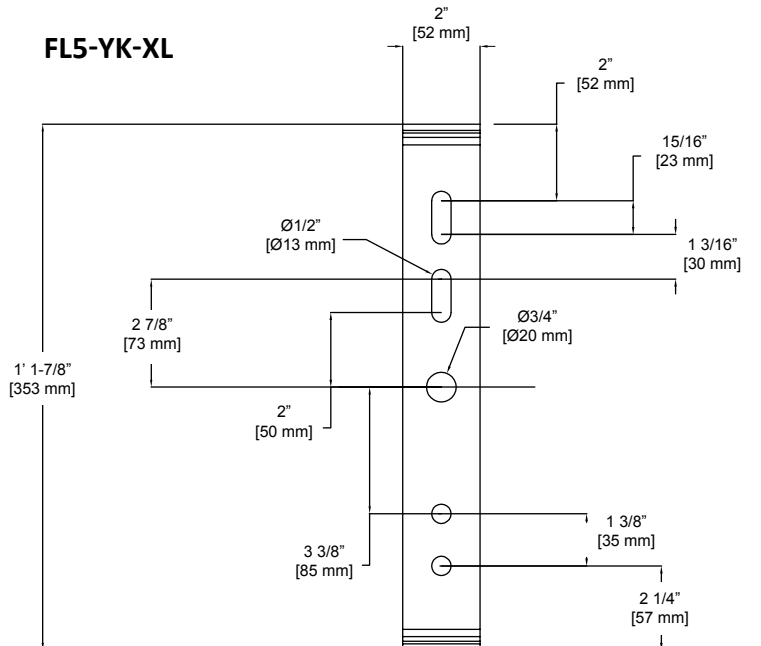
FL5-YK-M



FL5-YK-L



FL5-YK-XL



FL5-FM, FL5-FM-XL, FL5-MA, FL5-MA-XL

