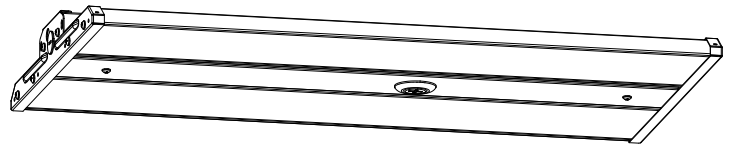


LHB4 INSTALLATION GUIDELINE

Linear High Bay Fixtures



INSTALLATION INSTRUCTIONS FOR

LHB4-904-1	LHB4-1304-1	LHB4-1654-1	LHB4-2204-1	LHB4-320G4-1
LHB4-904-3	LHB4-1304-3	LHB4-1654-3	LHB4-2204-3	LHB4-320G5-1
LHB4-905-1	LHB4-1305-1	LHB4-1655-1	LHB4-2205-1	LHB4-320G4-3
LHB4-905-3	LHB4-1305-3	LHB4-1655-3	LHB4-2205-3	LHB4-320G5-3

WHAT'S IN THE BOX

- LHB4 fixture
- Pre-installed 10ft power cord
- 2x 3ft chains with v-hooks

WHAT YOU'LL NEED

- Wiring supplies as per national and local electrical codes
- Hardware and tools required to mount to structure (field provided)

One of the following are required to mount

- A. Included chains with v-hooks (chain kit)
- B. Aircraft cable kit (**LHB4-ACK**)
- C. Pendant mount kit (**LHB4-PMK / LHB4-PMK-L**)
- D. Threaded rod surface mount kit (**LHB4-TRSMK / LHB4-TRSMK-L**)

IMPORTANT

Before installing fixture, read all instructions and retain for future reference. The important instructions and safeguards that appear in this document are not inclusive of all possible conditions and situations that may occur. It must be understood that common sense, caution, and care are factors that cannot be built into a product. These factors must be supplied by those that care and operate the fixture. Consider a qualified licensed electrician for installation.

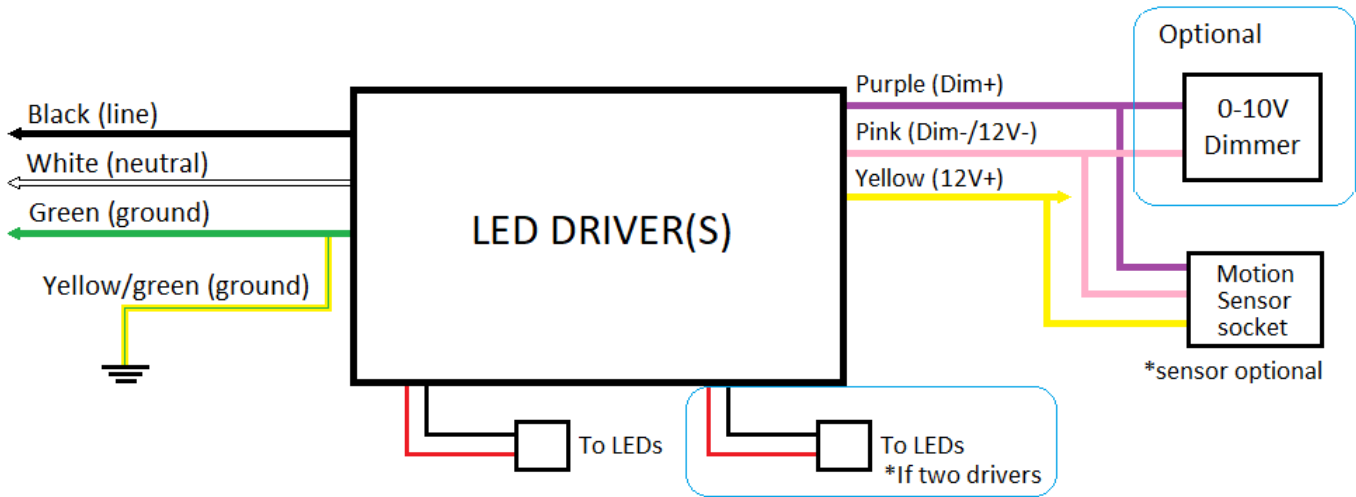
For additional information required not covered in this document please contact a local representative.



WARNING AND SAFETY

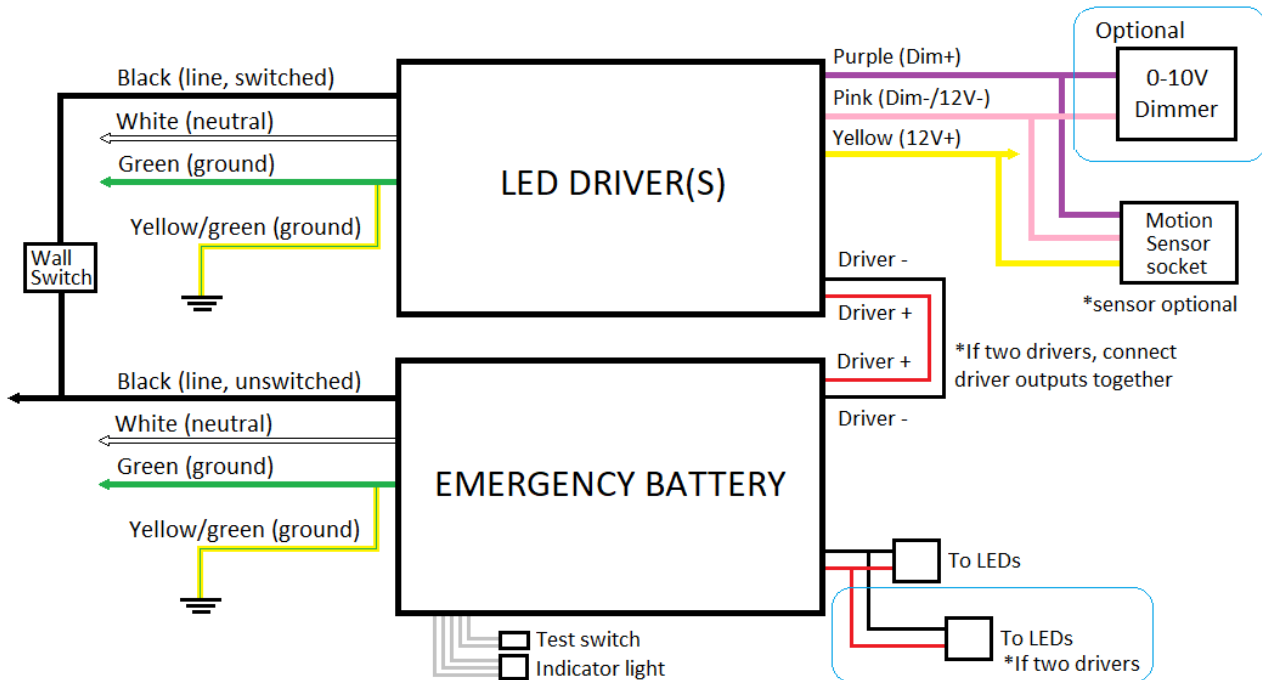
- Risk of fire or electric shock!
- Ensure power is OFF at the electrical panel before starting installation or maintenance
- Verify site supply voltage matches emergency battery and luminaire product labels
- Ensure wiring connections are not exposed during operation
- Modifications to the product will void warranty
- Ambient not to exceed: -30°C to 50°C (-22°F to 122°F)
- Ambient with sensor not to exceed: -25°C to 50°C (-13°F to 122°F)
- Ambient with emergency power not to exceed: 0°C to 50°C (32°F to 122°F)
- The emergency battery option requires an un-switched AC power source of 120-277V. The fixture must be on the same branch circuit as the emergency battery.
- Wiring to fixture must be in accordance with the National Electrical Code and all applicable local electrical and safety regulations
- Minimum supply 90°C supply conductors

WIRING SCHEMATIC FOR STANDARD MODELS



Note: In the case of 208 or 240 line voltage, the 2nd hot leg connects to the white (neutral) fixture lead.

WIRING SCHEMATIC FOR EMERGENCY BATTERY



Note: In the case of 208 or 240 line voltage, the 2nd hot leg connects to the white (neutral) fixture lead.

EMERGENCY BATTERY

OPTIONAL ACCESSORY: LHB4-20EB-3 (ALL MODELS)

1

Remove and set aside the front plate from the fixture and unscrew and remove back access plate and included cord.

2

Separate and set aside top cover of emergency battery box and install the remaining half of the emergency box to the back side of the fixture in the corresponding holes with the included screws.

3

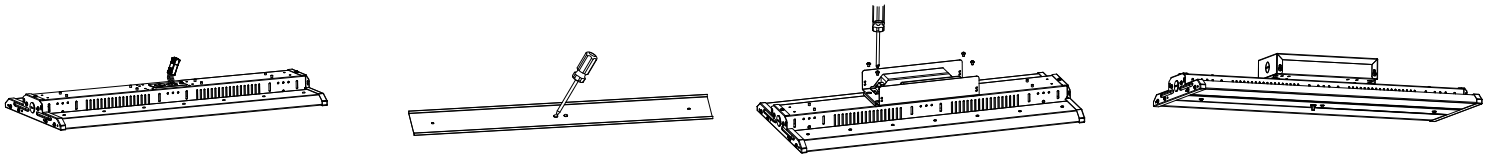
Connect the emergency battery as per the included wiring diagram. Note to also connect the battery to the circuit board.

4

Mount the test button and indicator light on the front plate of the fixture in the corresponding knockout holes. Affix the completed front cover plate to the fixture.

5

Select knockout(s) to use on the top cover of emergency battery box to run the supply wire.



Note: the original cord can be reused, however a field supplied 4 wire cord may be more convenient as an unswitched line is now also required.

CHAIN KIT

1

Install each chain on each v-hook.

2

Hook each v-hook onto the corresponding slots at each end of the fixture.

3

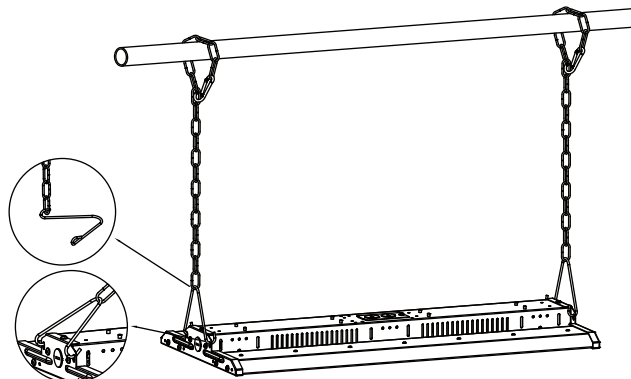
Secure the chain to the ceiling where the fixture will be suspended.

4

Connect to power as per included wiring diagrams.

5

Turn power on, and test luminaire.



AIRCRAFT CABLE KIT

OPTIONAL ACCESSORY: **LHB4-ACK** (ALL MODELS)

1

Hook each aircraft cable onto the corresponding slots at each end of the fixture. Adjust height as needed.

2

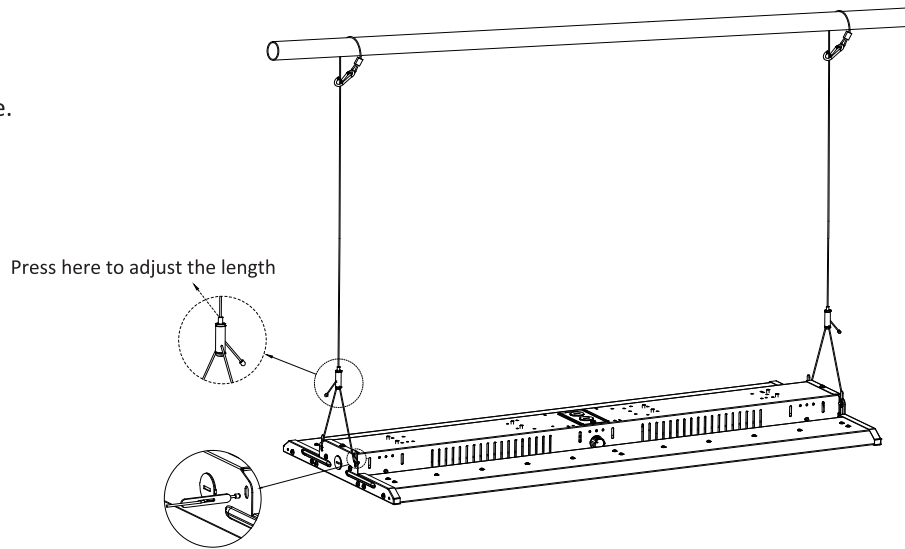
Secure the cable to the ceiling where the fixture will be suspended.

3

Connect to power as per included wiring diagrams.

4

Turn power on, and test luminaire.



PENDANT MOUNT KIT

OPTIONAL ACCESSORY: **LHB4-PMK** (90W TO 220W), **LHB4-PMK-L** (320W)

1

Secure pendant mount bracket onto the 3/4" NPT pipe. Bracket opening is $\varnothing 28\text{mm}$ [$\varnothing 1\ 1/8''$].

2

Attach the pendant mount bracket to the fixture with provided screws into the corresponding holes.

3

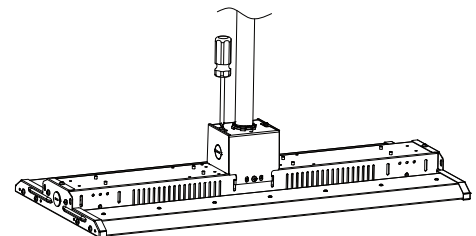
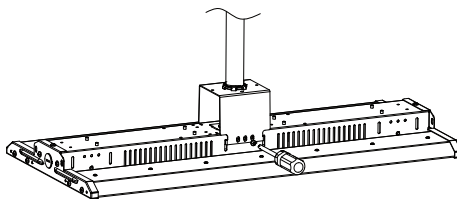
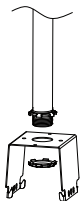
Connect to power as per included wiring diagrams.

4

Fasten the side plates onto the pendant mount bracket with included screws.

5

Turn power on, and test luminaire.



Note: Pendant mount kit can not be installed with emergency battery option (**LHB4-20EB-3**)

THREADED ROD SURFACE MOUNT KIT

OPTIONAL ACCESSORY: **LHB4-TRSMK** (90W TO 220W), **LHB4-TRSMK-L** (320W)

THREADED ROD MOUNT

1

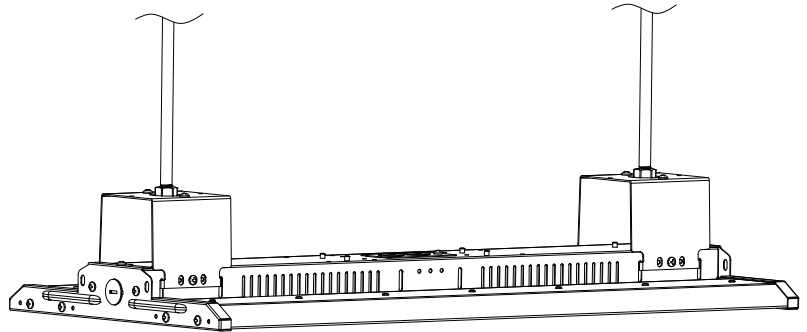
Noting spacing of brackets on fixture, field provide threaded rod to install location. Secure fixture to brackets, and once secured, secure brackets on fixture to installed threaded rod.

2

Connect to power as per included wiring diagrams.

3

Turn power on, and test luminaire.



SURFACE MOUNT KITS

1

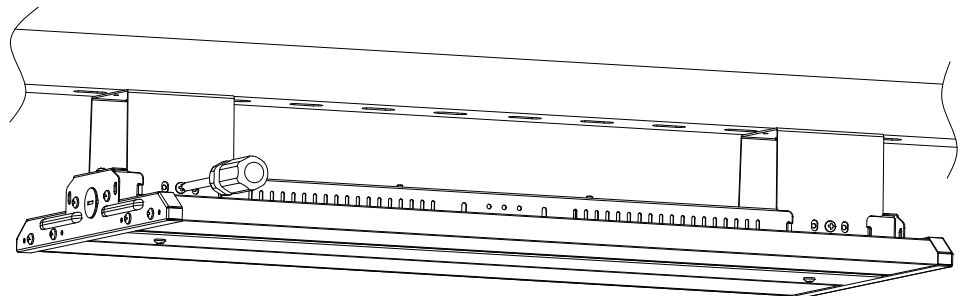
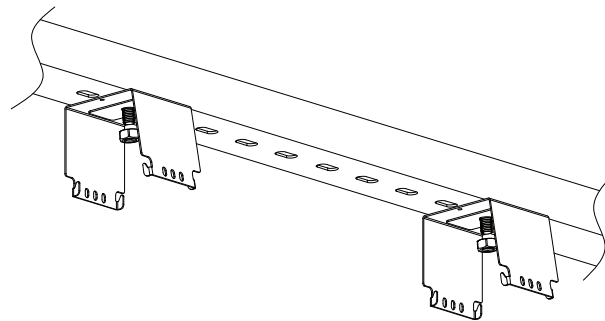
Mount threaded rod surface mount to surface noting spacing on fixture. Secure fixture to brackets.

2

Connect to power as per included wiring diagrams.

3

Turn power on, and test luminaire.



Note: center to center mounting dimensions for;
LHB4-TRSMK (90W-220W): 514 mm [20 1/4"]
LHB4-TRSMK-L (320W): 770 mm [30 5/16"]

WIRE GUARDS

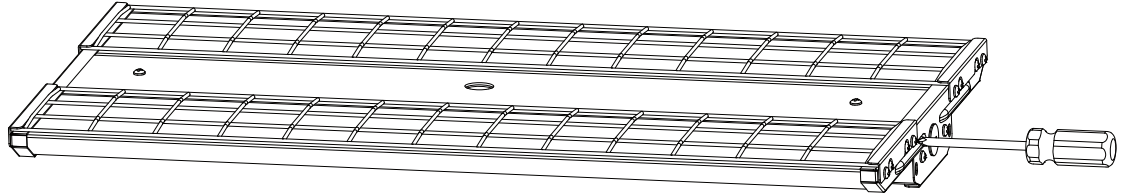
OPTIONAL ACCESSORY: **LHB4-WG** (90W TO 165W), **LHB4-WG-M** (220W), **LHB4-WG-L** (320W)

1

Place the wire guards over the lenses and align with corresponding holes on the fixture.

2

Secure wire guards to fixture with provided screws.



GANGING KIT

OPTIONAL ACCESSORY: **LHB4-GK** (90W TO 220W)

1

Place two fixtures side-by-side that are to be ganged together.

2

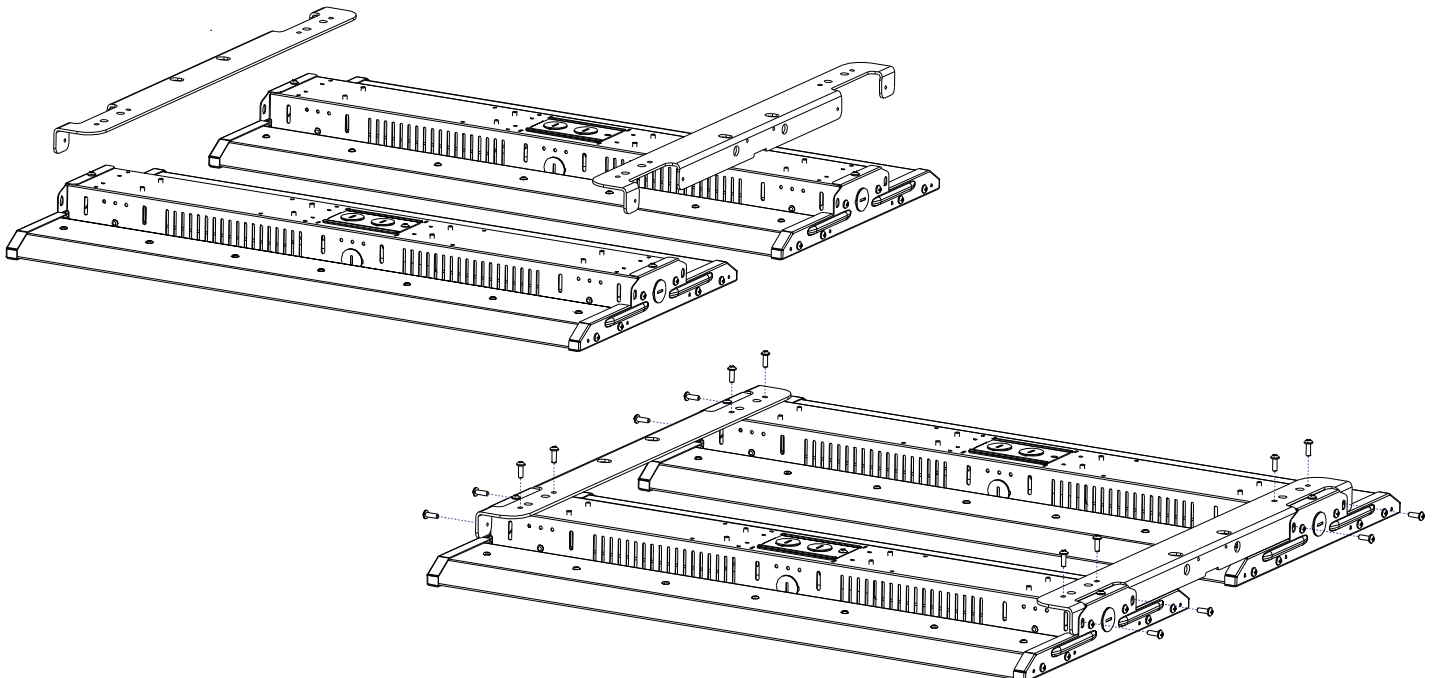
Place the ganging kit bars across the ends of the fixtures and align the holes in the bars with the corresponding holes on the fixtures.

3

Secure the ganging kit bars with the provided screws to each fixture end. The end of each fixture requires 4 screws to secure.

4

The ganged fixtures are ready for installation.



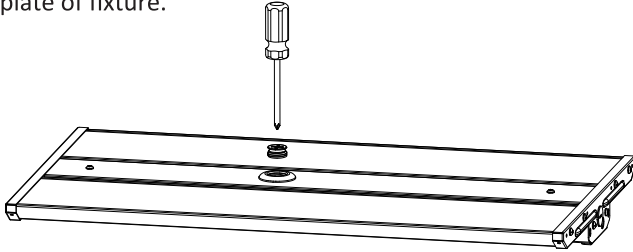
CONTROLS AND OPERATION

MOTION SENSORS

OPTIONAL ACCESSORY: **MSF-DMR-12** (MICROWAVE), **MSF-DPR-12** (PIR)

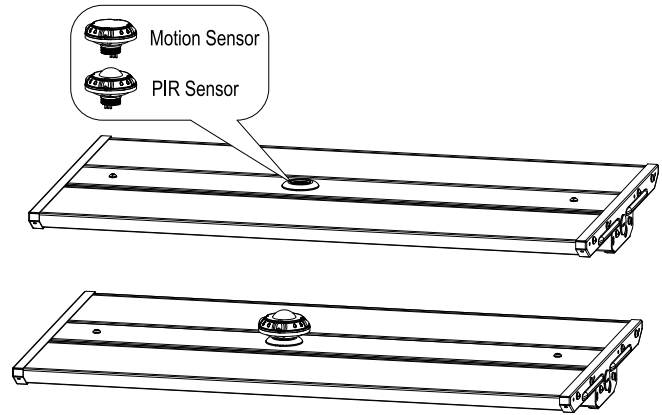
1

Remove 1/2" knockout plug on front plate of fixture.



2

Screw sensor in place until tight.



3

RC02 required to operate.

DIMMERS

List of recommended 0-10V dimmers

Brand	Model
LUTRON	NTSTV-DV
LEVITON	DS710-10Z/IP710
LEGRAND	RH4FBL3PW

RC02 – REMOTE FOR MSF-DMR-12 (MICROWAVE), MSF-DPR-12 (PIR)

See specification sheet for detailed instructions.



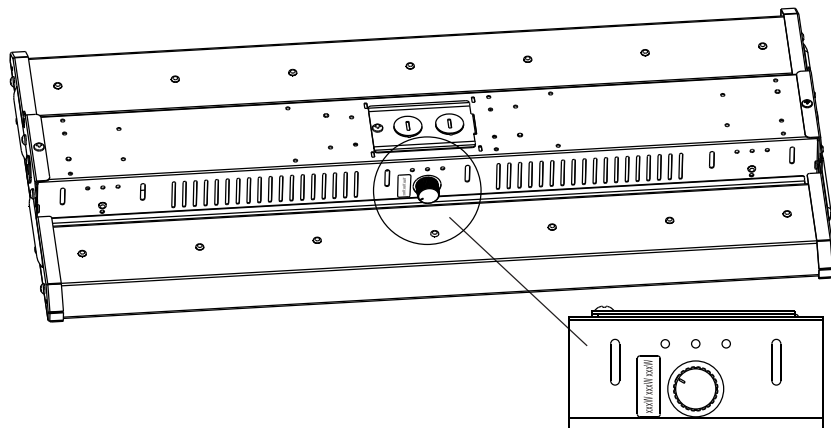
SCAN TO
DOWNLOAD



ADJUST POWER (W)

1

Adjust power dial on side of fixture to desired setting.



Note: 320W models only