

WPA INSTALLATION GUIDELINE

Wall Pack Adjustable

INSTALLATION INSTRUCTIONS FOR

WPA-30GS-1
WPA-80GS-1
WPA-30GS-3
WPA-80GS-3

WHAT'S IN THE BOX

- WPA fixture
- Photocell (except WPA-80GS-3)
- Small bubble level
- Octagon foam pad

WHAT YOU'LL NEED

- Wiring supplies as per national and local electrical codes
- #2 Phillips screwdriver
- Hex driver - 4 mm
- Drill with bit sized to fit mounting screws/hardware
- Mounting hardware/screws x 4

IMPORTANT

Before installing fixture, read all instructions and retain for future reference. The important instructions and safeguards that appear in this document are not inclusive of all possible conditions and situations that may occur. It must be understood that common sense, caution, and care are factors that cannot be built into a product. These factors must be supplied by those that care and operate the fixture. Consider a qualified licensed electrician for installation.

For additional information required not covered in this document please contact a local representative.



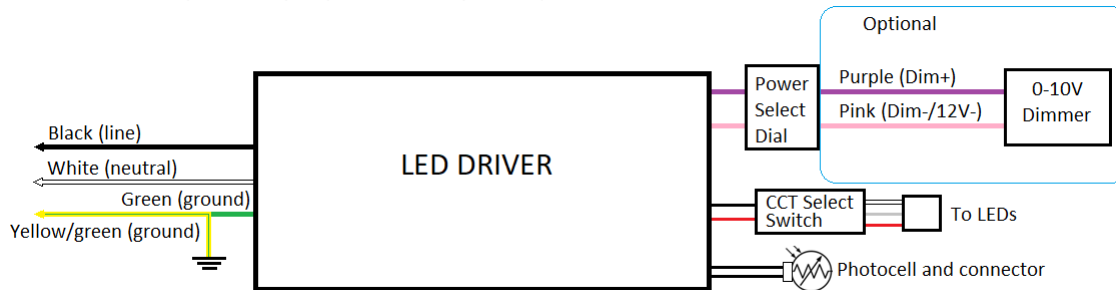
WARNING AND SAFETY

- Risk of fire or electric shock.
- Ensure power is OFF at the electrical panel before starting installation or maintenance
- Verify site supply voltage matches emergency battery and luminaire product labels
- Ensure wiring connections are not exposed during operation
- Modifications to the product will void warranty
- Ambient temperature range under normal operation not to exceed
Fixture: -40°C to 50°C (-40°F to 122°F),
Photocell: -25°C to 50°C (-13°F to 122°F)
- Minimum 90°C Supply Conductor
- Wiring to fixture must be in accordance with the National Electrical Code and all applicable local electrical and safety regulations



WIRING SCHEMATIC

WIRING SCHEMATIC FOR PHOTOCELL MODELS



Photocell is installed in the hinge side knockout location and connected as per the wiring diagram.

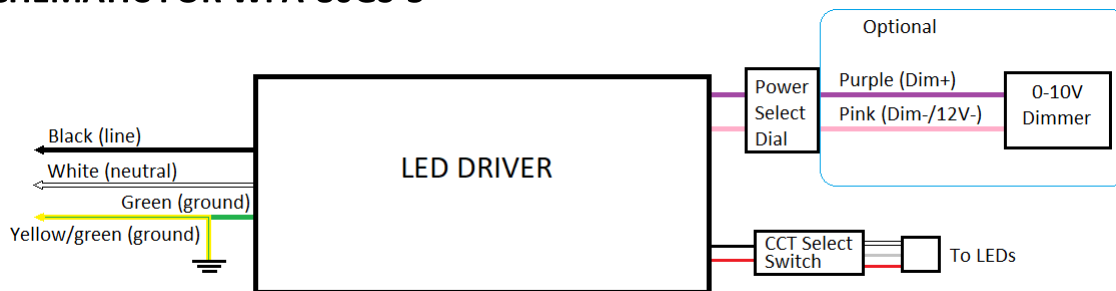
DISABLE PHOTOCELL

Photocell is installed in the hinge side knockout location and connected as per the wiring diagram. To disable photocell, open fixture cover and unplug photocell wire connector.

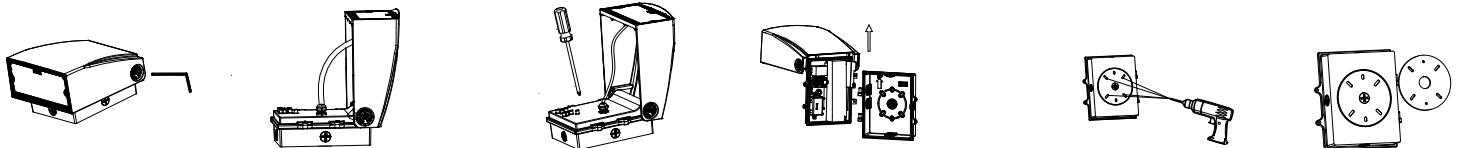
MOVE PHOTOCELL

To move photocell to an alternate 1/2" threaded knockout location, first disconnect photocell as per above and gently unscrew and retain the photocell. Remove the 1/2" threaded knockout from the alternate location and screw into the old photocell location. Gently screw photocell into new location and reattach photocell connector.

WIRING SCHEMATIC FOR WPA-80GS-3



INSTALLATION

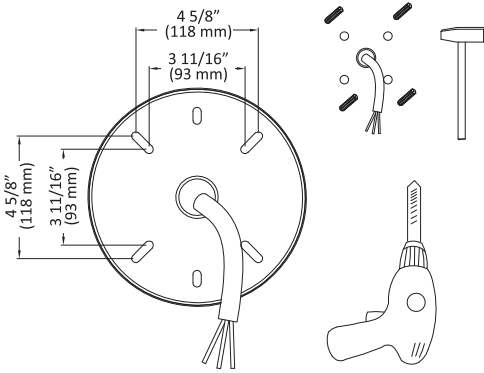


1 Loosen the side fixture adjustment screw and rotate to 90°.

2 Loosen the screw(s) on the cover to open the fixture. Unplug the photocell if provided and separate the back plate and fixture.

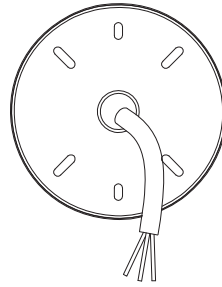
3 Drill holes through the back plate to match the wall junction box mounting screws, or to mount to the wall directly. Peel and adhere foam pad to back of mounting plate, remove inner sections for screws.

INSTALLATION CON'T



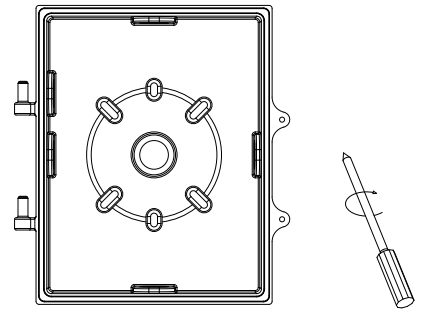
4

For wall mount install; use drilled out back plate as a guide, ensure level with included bubble, mark and drill holes for anchors. Insert anchors into drilled holes to match.



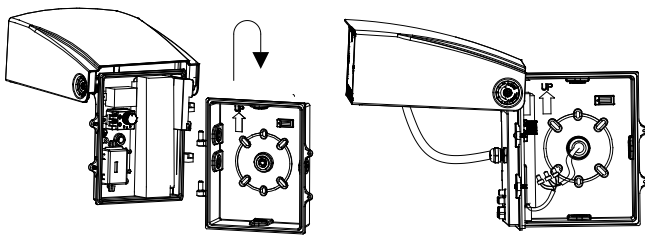
5

For junction box wall mount install; remove threaded knockout plug and feed wire through the back plate.



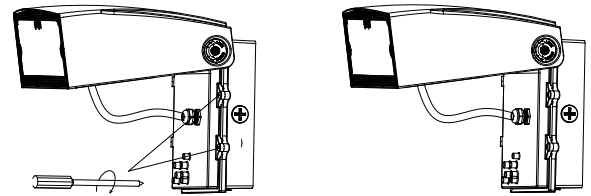
6

Level the back plate and fasten securely.



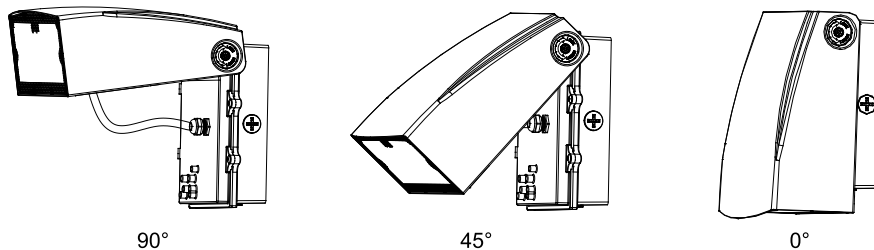
7

Hook the fixture on the back plate and connect fixture as per included wiring diagrams.



8

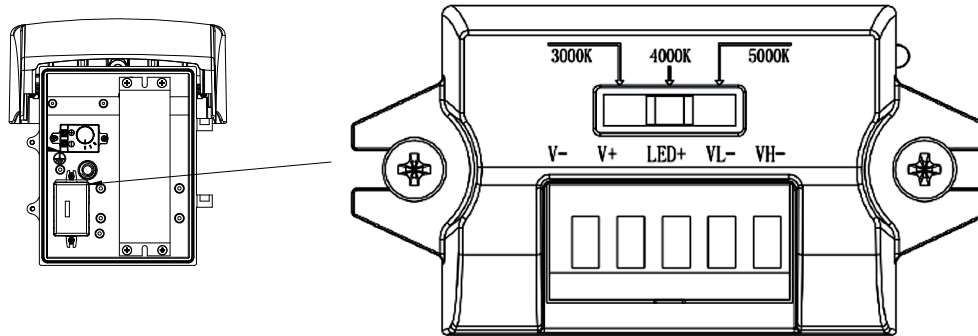
Ensuring uniform gasket coverage, close the cover and tighten the cover screw(s).



9

Fixture can be adjusted from 0° to 90°. Tighten side fixture adjustment screw to lock in at desired angle.

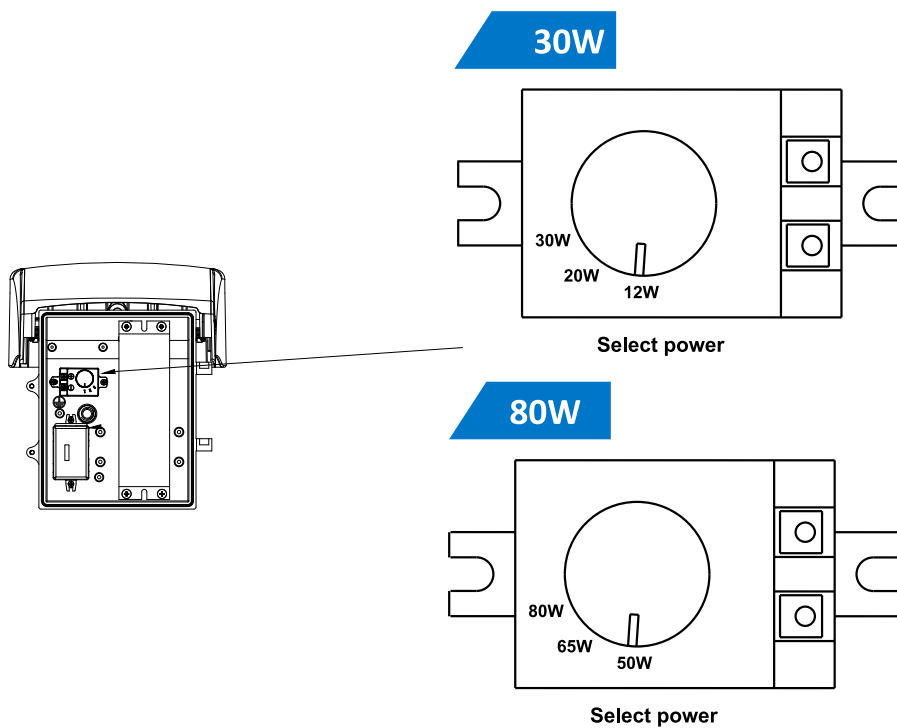
ADJUST COLOR TEMPERATURE (CCT)



With the fixture open, select a CCT of either 3000K, 4000K or 5000K.

Note: Default setting is 4000K for all models

ADJUST POWER (W)



With the fixture open, adjust power select dial.

Note: Default setting is max output for all models