

# AFL : LED Area Flood, Large



AFL-3C-W-U

AFL-5C-W-U

project name	type
catalog number	
comments	voltage
approved by	date

148/  
236  
watts

14,850/  
20,080  
lumens

5000K  
CCT

120-277V  
AC Input  
Voltage

## Features

- Cost-effective solid state LED solution for general flood and area lighting typically replacing 150-400W HID
- Sleek die cast aluminum housing and door for LED engine with separate driver splice box compartment provides thermal isolation to ensure superior heat dissipation
- Heavy gauge steel adjustable yoke with zinc oxide coating and stainless steel fasteners are standard on all units
- Convex molded high impact-resistant tempered glass lens
- A compression cord grip and 3 feet of 16/3 SO cord is provided on all units
- UV stabilized TGIC carbon bronze powder coat finish
- Optional adjustable slipfitter or square mounting arm are available as field-installed accessories
- 5-year limited warranty

## Performance

- AFL-3C – 14,850 lumens @ 148W – replaces 150-250W HID
- AFL-5C – 20,080 lumens @ 236W – replaces 250-400W HID
- Efficiency Rating (LER): 82-100 lpw
- Effective Projected Area (EPA): 2.0 ft<sup>2</sup>
- L70 Reported: >60,000 hrs; L70 Calculated: >100,000 hrs
- -40°F to 104°F (-40° C to 40° C) operating temperature
- CCT: 5000K +/- 250K
- Typical +70 CRI
- Universal 120V through 277V
- Power Factor: >.90 / THD <20%

## Applications

- Parking Lots
- Building Facades
- Safety / Security
- Signs

## Ordering Information

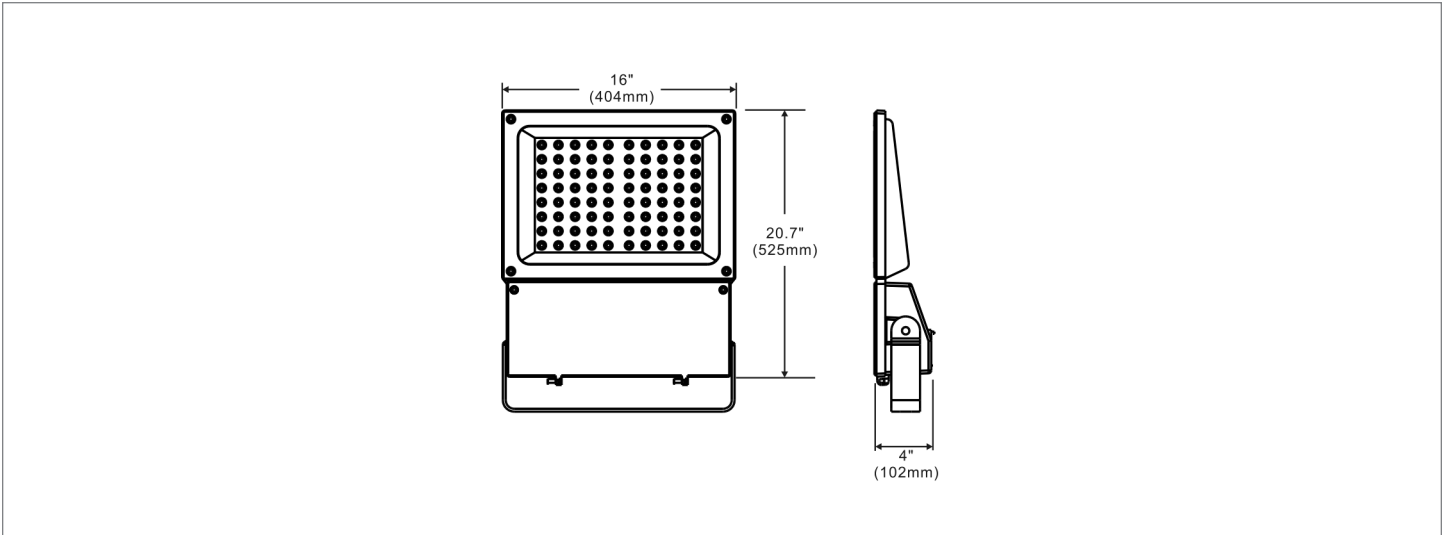
Order Code	Item #	Lm	W	CCT	CRI	Life/Hrs	V	Beam	Replaces HID	DLC
<b>08985</b>	AFL-3C-W-U	14,850	148W	5000K	70+	60,000	120-277V	Wide 7x7	150-250W	✓
<b>08986</b>	AFL-5C-W-U	20,080	236W	5000K	70+	60,000	120-277V	Wide 7x7	250-400W	
<b>09662</b>	AFL-5C-W-U-B	25,000	195W	5000K	70+	60,000	120-277V	Wide 7x7	250-400W	✓

✓DesignLights Consortium® Qualified



AFL : LED Area Flood, Large

Dimensions

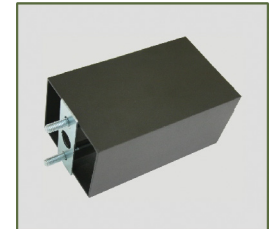


Accessories (Sold Separately)

Order Code	Litespan Part #	Description
<b>08816</b>	AFL-SF	Slipfitter 2-3/8" adjustable bronze
<b>08817</b>	AFL-PM	Pole Mount Arm, square bronze
<b>09289</b>	AL-245W-347T	347V Area Flood Light Higher Power Step Down Transformer (for fixtures up to 245W)



AFL-SF  
Slipfitter 2 3/8"  
adjustable bronze



AFL-PM  
Pole Mount Arm  
square bronze

watch > like > follow

