



ASL : LED AREA SITE LIGHT

DESCRIPTION

- Available in two outputs: 10,000lm (replaces 250W HID) and 15,000lm (replaces 400W HID)
- Replaces standard HID area light fixtures with 60% energy savings and 3X lifetime
- Rotatable glass optics provide flexibility of Type III or Type V beam distribution
- Durable die cast aluminum housing with TGIC thermoset polyester powder paint finish – standard
- Choice of 2-3/8" adjustable slipfitter, 6" or 10" square pole mounting arms available as adder

LISTINGS

- UL/cUL Listed for wet locations
- DesignLights Consortium® Qualified - meets DLC requirements for efficacy and lumen maintenance

LED CHARACTERISTICS

- Rated lifetime L70: 60,000 hours
- 4000K, 5000K CCT
- CRI: 70+

ELECTRICAL

- Standard 1-10V Meanwell dimming driver
- Optional 347V step down transformer
- Input voltage: 120-277V

CONSTRUCTION

- Effective Projected Area (EPA):
 - EPA for base fixture: 1.82, 18.6 lbs
 - EPA adder for slipfitter: 0.26, 2.4 lbs
 - EPA adder for 6" arm: 0.28, 2.4 lbs
 - EPA adder for 10" arm: 0.38, 3.6 lbs
- -40°F to 104°F (-40°C to +40°C) operating temperature

WARRANTY

- 5 year limited warranty; see eiko.com for warranty details

project name	type
catalog number	
comments	voltage
approved by	date



ASL
(shown w/ adjustable slipfitter mounting adder)

APPLICATIONS

- Parking Areas
- Automotive Dealerships
- Roadways
- Campuses
- Streetscapes
- Airports
- Area security lighting



ORDERING INFORMATION

EXAMPLE: ASL-3C-40K-U

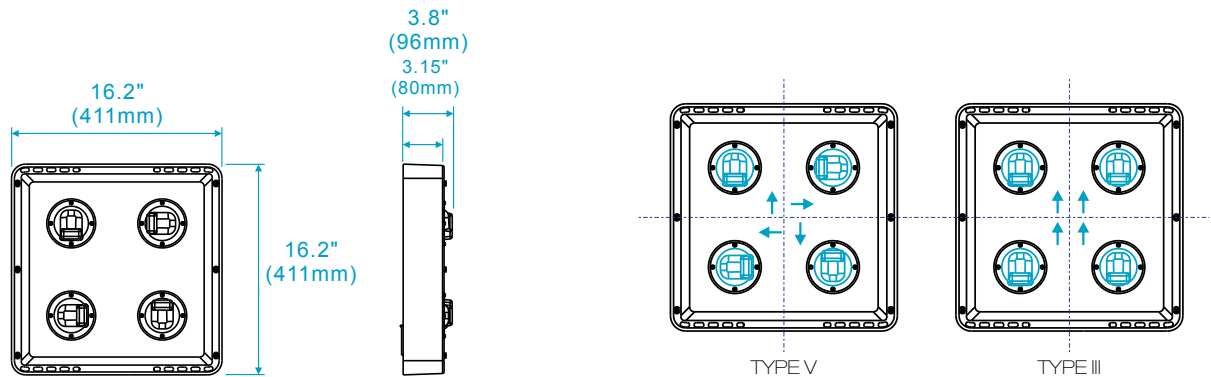
Model	Package	CCT	Voltage
ASL : LED Area Site Light	3C - 100W; 10,000 lm	40K - 4000K	U - 120-277V
	5C - 150W; 15,000 lm	50K - 5000K	347V - 347V

PERFORMANCE SUMMARY

Order Code	Item #	Watts	Lumens	CCT	CRI	Volts	Replaces HID	DLC
09273	ASL-3C-40K-U	100W	10,000	4000K	70+	120-277V	250W	✓
09275	ASL-5C-40K-U	150W	15,000	4000K	70+	120-277V	400W	✓
09274	ASL-3C-50K-U	100W	10,000	5000K	70+	120-277V	250W	✓
09276	ASL-5C-50K-U	150W	15,000	5000K	70+	120-277V	400W	✓

✓ DesignLights Consortium® Qualified

DIMENSIONS



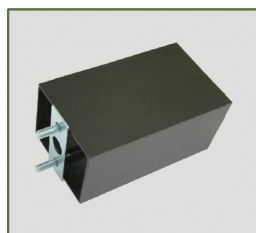
AVAILABLE ACCESSORIES

Order Code	Item #	Description
09299	ASL-SF	Slipfitter 2-3/8" Ø I.D. Adjustable bronze
09300	ASL-PM6	Pole Mount Arm, square 6" bronze
09301	ASL-PM10	Pole Mount Arm, square 10" bronze
09330	AL-125W-347T	347V AFL Low Power Step Down Transformer (for fixtures up to 125W)
09289	AL-245W-347T	347V AFL Higher Power Step Down Transformer (for fixtures up to 245W)

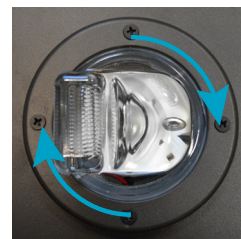
OPTIONAL MOUNTING SYSTEMS



ASL-SF
Slipfitter 2 3/8" Ø I.D.
adjustable bronze



ASL-PM
Pole Mount Arm
square bronze



Field Rotatable Lens