



DTD : LED DUSK TO DAWN

DESCRIPTION

- Cost effective LED solution for general security lighting
- 90% energy savings vs. traditional HID sources
- 13 years of maintenance-free operation with LED lifespan of 50,000 hours
- Instant-on with no warm-up, unlike HID
- Universal 120-277V photo control provides nighttime ON / daytime OFF
- Polyester powder coat gray finish for extra corrosion protection
- Suitable for wall or pole mount applications

LISTINGS

- DesignLights Consortium® Qualified - meets DLC requirements for efficacy and lumen maintenance

LED CHARACTERISTICS

- Rated lifetime L70: 50,000 hours
- 5000K CCT
- CRI: 70/80+

ELECTRICAL

- Input voltage: 120-277V

THERMAL

- -40°F to 104°F (-40°C to 40°C) operating temperature

CONSTRUCTION

- Impact resistant, non-yellowing polycarbonate lens
- Includes mounting arm

WARRANTY

- 5 year limited warranty; see eiko.com for warranty details

project name	type
catalog number	
comments	voltage
approved by	date



APPLICATIONS

- Farms / Barns
- Security
- Industrial Yards
- Building Perimeters
- Storage Sheds
- Entryways / Pathways



ORDERING INFORMATION

EXAMPLE: DTD-2C-50K-U

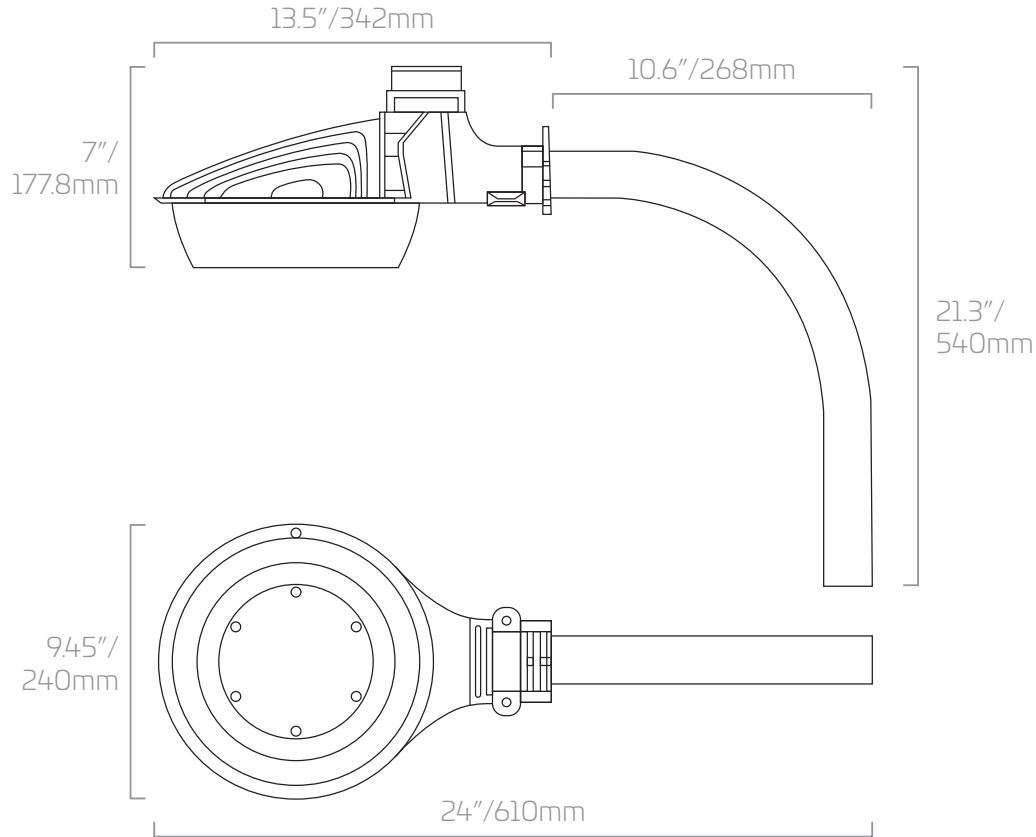
Model	Package	CCT	Voltage
DTD : LED Dusk to Dawn	2C - 50W; 5,000 lm	50K - 5000K	U - 120-277V

PERFORMANCE SUMMARY

Order Code	Item #	Watts	Lumens	CCT	CRI	Volts	HID Equiv.	DLC
09579	DTD-2C-50K-U	50W	5,000	5000K	80+	120-277V	175-250W	✓

✓DesignLights Consortium® Qualified

DIMENSIONS



AVAILABLE ACCESSORIES

Order Code	Item #	Description
08863	LP1040-36-C0950	Replacement Driver for DTD-1C-U
08906	PCTLU	120-277V Replacement Photocontrol for DTD

PHOTOMETRICS

