



FLJ : LED UTILITY FLOOD LIGHT

DESCRIPTION

A cost-effective solid state solution for flood light applications.

FEATURES

- Instant-on with no warmup
- Compact and stylish design with slipfitter mount

LISTINGS

- UL Listed for wet locations
- IP65 Rated
- DesignLights Consortium® Qualified - meets DLC requirements for efficacy and lumen maintenance
- DesignLights Consortium® Premium Qualified - meets the requirements for the highest DLC qualification for efficacy and lumen maintenance

PERFORMANCE

- Rated lifetime L70: 50,000 hours
- 4000K, 5000K CCT
- CRI: 70+; 80+

ELECTRICAL

- Input voltage: 120-277V; 277-480V
- Power Factor: >.90
- THD: <20%

THERMAL

- -40°F to 122°F (-40°C to 50°C) operating temperature

CONSTRUCTION

- Aluminum heat sink with durable outdoor powder coating
- Impact-resistant polycarbonate lens

WARRANTY

- 5 year limited warranty; see eiko.com for warranty details

project name	type
catalog number	
comments	voltage
approved by	date



80W/100W

150W

APPLICATIONS

- Building Facades
- Safety / Security
- Signs
- Entryways
- Area Lighting
- Pathway
- External Security Lighting
- Parking Lots



ORDERING INFORMATION

EXAMPLE: FLJ-108/D5/740-U-D-S-BZ

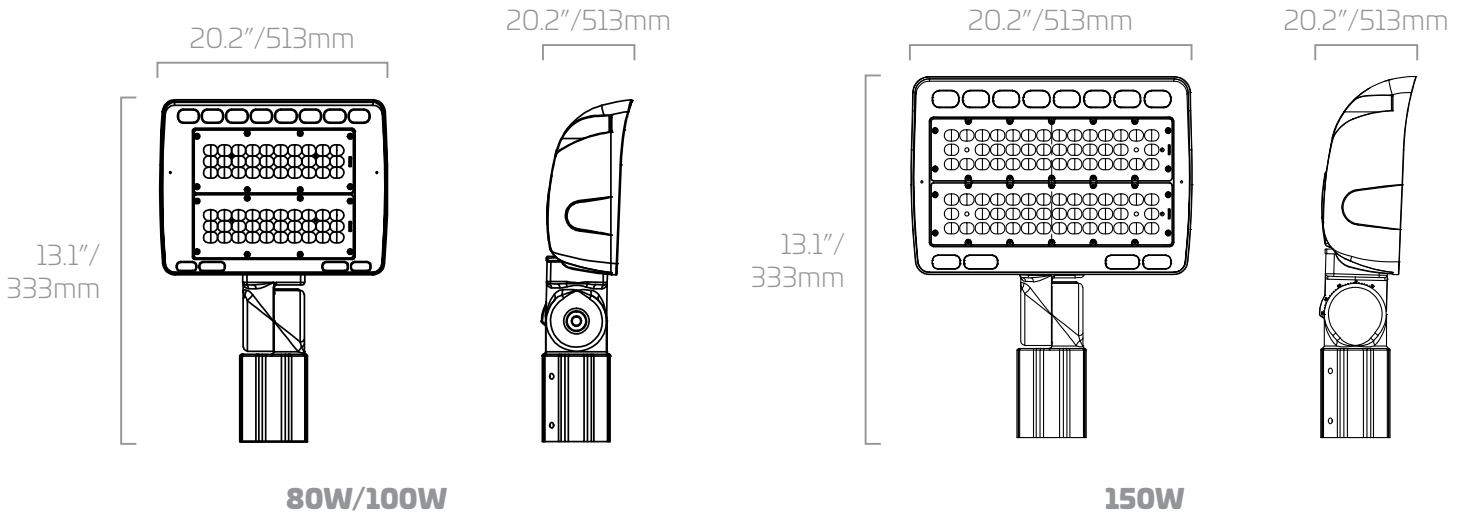
Model	Package	Efficacy	CRI/CCT	Voltage	Dimming	Mount	Finish
FLJ : LED Utility Flood Light Mini	108 - 10,800 lm 130 - 13,000 lm 165 - 16,500 lm	D5 - 135 lpw D0 - 130 lpw B0 - 110 lpw	740 - 70 CRI; 4000K 750 - 70 CRI; 5000K 840 - 80 CRI; 4000K 850 - 80 CRI; 5000K	U - 100-277V V - 277-480V	D - 0-10V Dimming	S - Slipfitter	BZ - Bronze

PERFORMANCE SUMMARY

Order Code	Item #	Watts	Lumens	CCT	CRI	Volts	Mount	DLC
10304	FLJ-108/D5/740-U-D-S-BZ	80W	10,800	4000K	70+	100-277V	Slipfitter	✓✓
10305	FLJ-108/D5/750-U-D-S-BZ	80W	10,800	5000K	70+	100-277V	Slipfitter	✓✓
10306	FLJ-130/D0/740-U-D-S-BZ	100W	13,000	4000K	70+	100-277V	Slipfitter	✓✓
10308	FLJ-130/D0/750-U-D-S-BZ	100W	13,000	5000K	70+	100-277V	Slipfitter	✓✓
10307	FLJ-130/D0/740-V-D-S-BZ	100W	13,000	4000K	70+	277-480V	Slipfitter	✓✓
10309	FLJ-130/D0/750-V-D-S-BZ	100W	13,000	5000K	70+	277-480V	Slipfitter	✓✓
10310	FLJ-165/B0/840-U-D-S-BZ	150W	16,500	4000K	80+	100-277V	Slipfitter	✓
10312	FLJ-165/B0/850-U-D-S-BZ	150W	16,500	5000K	80+	100-277V	Slipfitter	✓
10311	FLJ-165/B0/840-V-D-S-BZ	150W	16,500	4000K	80+	277-480V	Slipfitter	✓
10313	FLJ-165/B0/850-V-D-S-BZ	150W	16,500	5000K	80+	277-480V	Slipfitter	✓

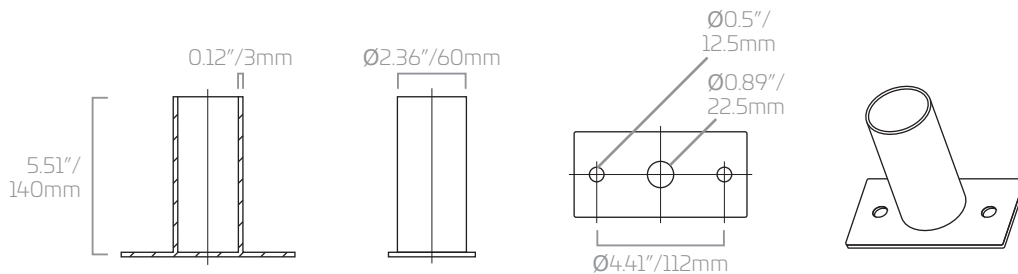
✓ DesignLights Consortium® Qualified ✓✓ DesignLights Consortium® Premium Qualified

DIMENSIONS



AVAILABLE ACCESSORIES

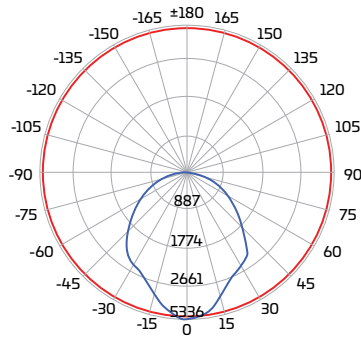
Order Code	Item #	Description
10314	FLJ-YA-BZ	Mounting Adaptor



FLJ-YA-BZ

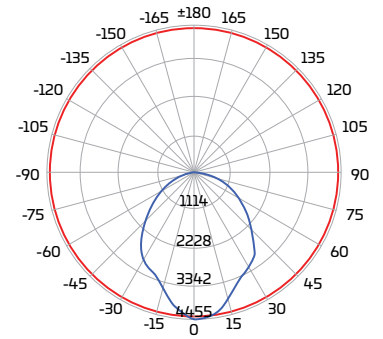
FLJ-108/D5/740

ZONAL LUMEN SUMMARY		
Zone	Lumens	%Fixture
0-30	12929	13.4%
30-60	27175	28.1%
60-80	885.2	9.1%
80-90	55.0	0.6%
0-30	1252.1	12.9%
30-60	26034	26.9%
60-80	804.1	8.3%
80-90	54.7	0.6%
90-100	0.6	0.0%
100-180	18.2	0.2%



FLJ-130/D0/740

ZONAL LUMEN SUMMARY		
Zone	Lumens	%Fixture
0-30	16227	13.8%
30-60	33293	28.3%
60-80	10829	9.2%
80-90	75.5	0.6%
0-30	1548.5	13.2%
30-60	31039	26.4%
60-80	901.1	7.7%
80-90	56.8	0.5%
90-100	0.9	0.0%
100-180	23.0	0.2%



FLJ-165/B0/840

ZONAL LUMEN SUMMARY		
Zone	Lumens	%Fixture
0-30	2216.1	13.0%
30-60	46485	27.3%
60-80	1882.8	11.1%
80-90	94.9	0.6%
0-30	2075.2	12.2%
30-60	43894	25.8%
60-80	1594.8	9.4%
80-90	86.4	0.5%
90-100	2.5	0.0%
100-180	38.2	0.2%

