

FLM - LED Mini Flood



15W - wide beam 15W - narrow beam



25W - wide beam 25W - narrow beam



45W - wide beam 45W - narrow beam

project name	type
catalog number	
comments	voltage
approved by	date

15/
25/45
watts

1153/
3946
lumens

5000K
CCT

50,000
hours

features

- Replaces 150-300 watt quartz halogen floodlights
- CCT: 5000K
- CRI > 70
- Wide and narrow distributions
- Black ceramic paint frit lens mask reduces glare and improves appearance
- Constructed without any hazardous materials
- Compatible with mechanical relay type Photocell and occupancy sensor
- LM-79/80 reports available
- DesignLights Consortium® qualified
- 50,000 hour rated life at L70 standards
- Five year limited warranty

performance

- 15W Narrow Beam - 1153 lm, 77 lpw
- 15W Wide Beam - 1221 lm, 81 lpw
- 25W Narrow Beam - 1860 lm, 74 lpw
- 25W Wide Beam - 2207 lm, 88 lpw
- 45W Narrow Beam - 3634 lm, 81 lpw
- 45W Wide Beam - 3946 lm, 88 lpw
- IP65 Rated

applications

- Building Facades
- Safety / Security
- Signs



All models come standard with a yoke and a 1/2" NPT strain relief fitting for easy installation

ordering information

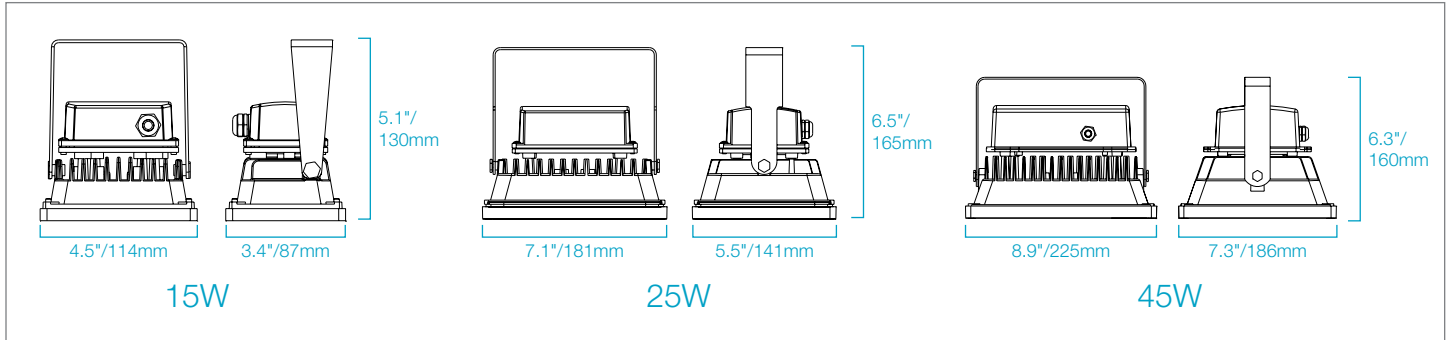
Order Code	Item #	Family	Configuration	Beam Angle	CCT	Finish	Voltage	Replaces
08987	FLM-1C-N-U	FLM - Floodlight (Mini)	1C - 15W	(Blank) - Wide 115° N - Narrow 75°	(Blank) - 5000K	(Blank) - Bronze	U - 120-277V	Replaces up to 150W Halogen
08988	FLM-1C-U		2C - 25W					Replaces up to 250W Halogen
08990	FLM-2C-N-U		3C - 45W	Replaces up to 300W Halogen				
08991	✓FLM-2C-U		2C - 25W	LV1 - 9-18V DC			Replaces up to 250W Halogen	
08992	FLM-3C-N-U		3C - 45W				Replaces up to 300W Halogen	
08993	FLM-3C-U							
09093	FLM-2C-N-LV1							
09094	FLM-3C-N-LV1							

✓ DesignLights Consortium™ v4.1 Qualified



FLM - LED Mini Flood

dimensions



LED lighting facts
A Program of the U.S. DOE

Light Output (Lumens)	1153
Watts	15
Lumens per Watt (Efficacy)	76.87
Color Accuracy Color Rendering Index (CRI)	73
Light Color Correlated Color Temperature (CCT)	5000 (Daylight)

Warm White | Bright White | Daylight
2700K | 3000K | 4500K | 6500K

All results are according to IESNA LM-79-2008: Approved Method for the Electrical and Photometric Testing of Solid-State Lighting. The U.S. Department of Energy (DOE) verifies product test data and results.

Visit www.lightingfacts.com for the Label Reference Guide.

Registration Number: 3A2D-ZM4FYG (7/8/2015)
Model Number: FLM-1C-N-U
Type: Luminaire - Directional

LED lighting facts
A Program of the U.S. DOE

Light Output (Lumens)	1220
Watts	15
Lumens per Watt (Efficacy)	81.39
Color Accuracy Color Rendering Index (CRI)	76
Light Color Correlated Color Temperature (CCT)	5100 (Daylight)

Warm White | Bright White | Daylight
2700K | 3000K | 4500K | 6500K

All results are according to IESNA LM-79-2008: Approved Method for the Electrical and Photometric Testing of Solid-State Lighting. The U.S. Department of Energy (DOE) verifies product test data and results.

Visit www.lightingfacts.com for the Label Reference Guide.

Registration Number: 3A2D-HGSRX (7/7/2015)
Model Number: FLM-1C-U
Type: Luminaire - Directional

LED lighting facts
A Program of the U.S. DOE

Light Output (Lumens)	1860
Watts	25
Lumens per Watt (Efficacy)	74.4
Color Accuracy Color Rendering Index (CRI)	74
Light Color Correlated Color Temperature (CCT)	5100 (Daylight)

Warm White | Bright White | Daylight
2700K | 3000K | 4500K | 6500K

All results are according to IESNA LM-79-2008: Approved Method for the Electrical and Photometric Testing of Solid-State Lighting. The U.S. Department of Energy (DOE) verifies product test data and results.

Visit www.lightingfacts.com for the Label Reference Guide.

Registration Number: 3A2D-OKY4S (7/7/2015)
Model Number: FLM-2C-N-U
Type: Luminaire - Directional

LED lighting facts
A Program of the U.S. DOE

Light Output (Lumens)	2207
Watts	25
Lumens per Watt (Efficacy)	88.28
Color Accuracy Color Rendering Index (CRI)	76
Light Color Correlated Color Temperature (CCT)	5000 (Daylight)

Warm White | Bright White | Daylight
2700K | 3000K | 4500K | 6500K

All results are according to IESNA LM-79-2008: Approved Method for the Electrical and Photometric Testing of Solid-State Lighting. The U.S. Department of Energy (DOE) verifies product test data and results.

Visit www.lightingfacts.com for the Label Reference Guide.

Registration Number: 3A2D-V3SIPU (7/7/2015)
Model Number: FLM-2C-U
Type: Luminaire - Directional

LED lighting facts
A Program of the U.S. DOE

Light Output (Lumens)	3634
Watts	45
Lumens per Watt (Efficacy)	80.76
Color Accuracy Color Rendering Index (CRI)	74
Light Color Correlated Color Temperature (CCT)	5000 (Daylight)

Warm White | Bright White | Daylight
2700K | 3000K | 4500K | 6500K

All results are according to IESNA LM-79-2008: Approved Method for the Electrical and Photometric Testing of Solid-State Lighting. The U.S. Department of Energy (DOE) verifies product test data and results.

Visit www.lightingfacts.com for the Label Reference Guide.

Registration Number: 3A2D-LRBKJS (7/7/2015)
Model Number: FLM-3C-N-U
Type: Luminaire - Directional

LED lighting facts
A Program of the U.S. DOE

Light Output (Lumens)	3946
Watts	45
Lumens per Watt (Efficacy)	87.69
Color Accuracy Color Rendering Index (CRI)	70
Light Color Correlated Color Temperature (CCT)	5100 (Daylight)

Warm White | Bright White | Daylight
2700K | 3000K | 4500K | 6500K

All results are according to IESNA LM-79-2008: Approved Method for the Electrical and Photometric Testing of Solid-State Lighting. The U.S. Department of Energy (DOE) verifies product test data and results.

Visit www.lightingfacts.com for the Label Reference Guide.

Registration Number: 3A2D-XGEGDD (7/21/2015)
Model Number: FLM-3C-U
Type: Luminaire - Directional

watch > like > follow

