

LED Direct PL Replacement Lamps

Features



horizontal



vertical

9
watts

850-
900
lumens

100
lpw

vertical/
horizontal

- 2-pin directly replaces 13, 18, 26W quad-tube and 4-pin directly replaces 26, 32, 42W quad- and triple-tube PL fluorescent lamps
- Available in two ergonomically crafted models: horizontal (with rotatable base) or vertical orientation
- Plug-and-Play installation for 2-pin magnetic ballast model or 4 pin electronic ballast compatible model
- Choice of 2700K, 3000K, 3500K and 4000K color temperatures
- Instant-on with no warmup, unlike compact fluorescent
- 5 year limited warranty
- Shatter resistant for reduced risk of injury and breakage
- Contains no lead or mercury; RoHS compliant



Performance

- 850-900 lumens @ 9W
- Input voltage driven by installed PL electric/magnetic ballast
- Power factor: ≥ 0.95
- 80+ CRI
- 50,000 hour life
- Consumes $\frac{1}{3}$ the energy and lasts 5x longer than 26 watt compact fluorescent
- UL/cUL classified for damp locations
- Suitable for use in totally enclosed recessed fixtures
- 120° beam angle
- Non-dimmable
- **Not compatible with all ballasts. See eiko.com for list of tested ballasts**

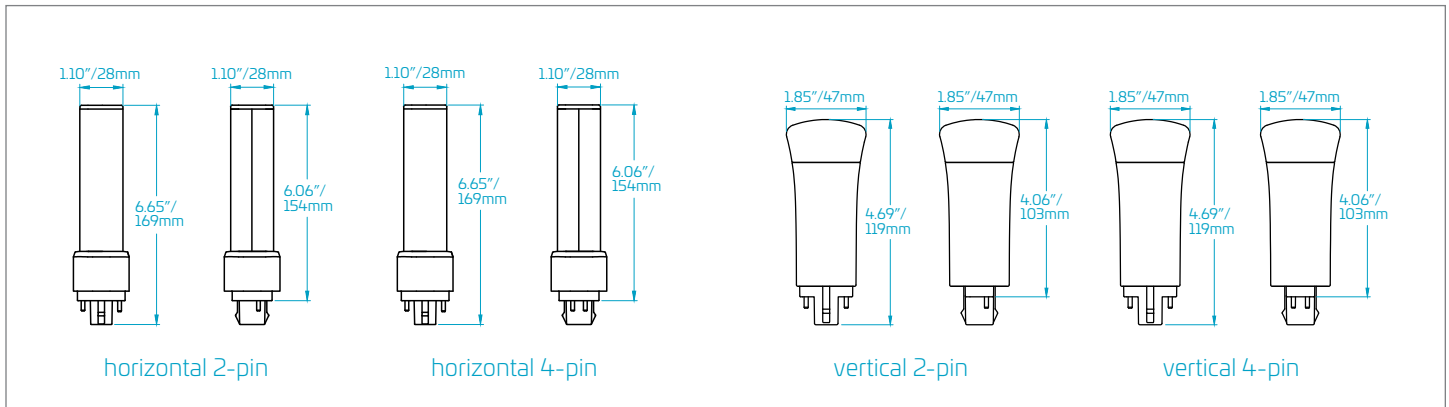
Applications

- Commercial/Residential
- Hotel/Hospitality
- Education
- Healthcare
- Retail
- Property Management



LED Direct PL Replacement Lamps

Dimensions



Ordering Information

2-pin : Magnetic Ballast Compatible : Non-Dimmable*

Order Code	Item #	W	Lm	CCT	CRI	MOL	Orientation	Base	Life/Hrs	Replaces Fluorescent
09332	LED9W2PH/827DR-G6	9W	850	2700K	80+	5.39"	Horizontal	G24d-1, G24d-2, G24d-3	50K	26W 2-pin quad
09250	LED9W2PH/830DR-G6	9W	850	3000K	80+	5.39"	Horizontal	G24d-1, G24d-2, G24d-3	50K	26W 2-pin quad
09251	LED9W2PH/835DR-G6	9W	850	3500K	80+	5.39"	Horizontal	G24d-1, G24d-2, G24d-3	50K	26W 2-pin quad
09252	LED9W2PH/840DR-G6	9W	900	4000K	80+	5.39"	Horizontal	G24d-1, G24d-2, G24d-3	50K	26W 2-pin quad
09334	LED9W2PV/827DR-G6	9W	850	2700K	80+	4.57"	Vertical	G24d-1, G24d-2, G24d-3	50K	13/18/26W 2-pin quad
09253	LED9W2PV/830DR-G6	9W	850	3000K	80+	4.57"	Vertical	G24d-1, G24d-2, G24d-3	50K	13/18/26W 2-pin quad
09254	LED9W2PV/835DR-G6	9W	850	3500K	80+	4.57"	Vertical	G24d-1, G24d-2, G24d-3	50K	13/18/26W 2-pin quad
09255	LED9W2PV/840DR-G6	9W	900	4000K	80+	4.57"	Vertical	G24d-1, G24d-2, G24d-3	50K	13/18/26W 2-pin quad

NOTE: Use order code when ordering. Visit eiko.com to view complete ballast compatibility information.

*Not for use with emergency ballasts.

4-pin : Electronic Ballast Compatible : Non-Dimmable*

Order Code	Item #	W	Lm	CCT	CRI	MOL	Orientation	Base	Life/Hrs	Replaces Fluorescent	LDL	DLC
09331	LED9W4PH/827DR-G6	9W	850	2700K	80+	6.57"	Horizontal	G24q-3, GX24q-3, GX24q-4	50K	26/32/42W 4-pin quad & triple		
09244	LED9W4PH/830DR-G6	9W	850	3000K	80+	6.57"	Horizontal	G24q-3, GX24q-3, GX24q-4	50K	26/32/42W 4-pin quad & triple	✘	✓
09245	LED9W4PH/835DR-G6	9W	850	3500K	80+	6.57"	Horizontal	G24q-3, GX24q-3, GX24q-4	50K	26/32/42W 4-pin quad & triple	✘	✓
09246	LED9W4PH/840DR-G6	9W	900	4000K	80+	6.57"	Horizontal	G24q-3, GX24q-3, GX24q-4	50K	26/32/42W 4-pin quad & triple	✘	✓
09333	LED9W4PV/827DR-G6	9W	850	2700K	80+	4.57"	Vertical	G24q-3, GX24q-3, GX24q-4	50K	26/32/42W 4-pin quad & triple		
09247	LED9W4PV/830DR-G6	9W	850	3000K	80+	4.57"	Vertical	G24q-3, GX24q-3, GX24q-4	50K	26/32/42W 4-pin quad & triple	✘	✓
09248	LED9W4PV/835DR-G6	9W	850	3500K	80+	4.57"	Vertical	G24q-3, GX24q-3, GX24q-4	50K	26/32/42W 4-pin quad & triple	✘	✓
09249	LED9W4PV/840DR-G6	9W	900	4000K	80+	4.57"	Vertical	G24q-3, GX24q-3, GX24q-4	50K	26/32/42W 4-pin quad & triple	✘	✓

NOTE: Use order code when ordering.

Visit eiko.com to view complete ballast compatibility information.

*Not for use with emergency ballasts.

✘Lighting Design Lab Qualified ✓DesignLights Consortium® Qualified

watch > like > follow

