

LED Direct PL Replacement Lamps



G24Q base
Horizontal



G24Q base
Vertical

9
watts

900-
1000
lumens

100+
lpw

G24Q
base

Features

- Plug-and-play installation for 4-pin G24Q and GX24Q bases
- Lasts 5x longer than compact fluorescent lamps
- Consumes up to 1/3 the energy of conventional CFL
- Base rotates for precision orientation once installed in fixture
- Environmentally friendly: contains no glass, mercury or lead
- Shatter-resistant for reduced risk of injury and breakage
- Instant-on with no warmup, unlike CFLs
- 5 year limited warranty



Performance

- 9W G24Q replaces 18-42W CFL
- 900-1000 lumens @ 9W
- 50,000 hour life @ L70
- 80+ CRI
- UL/cUL classified for damp locations
- Suitable for use in 6" cans
- Non-dimmable
- **Not compatible with all ballasts. See eiko.com for list of tested ballasts**

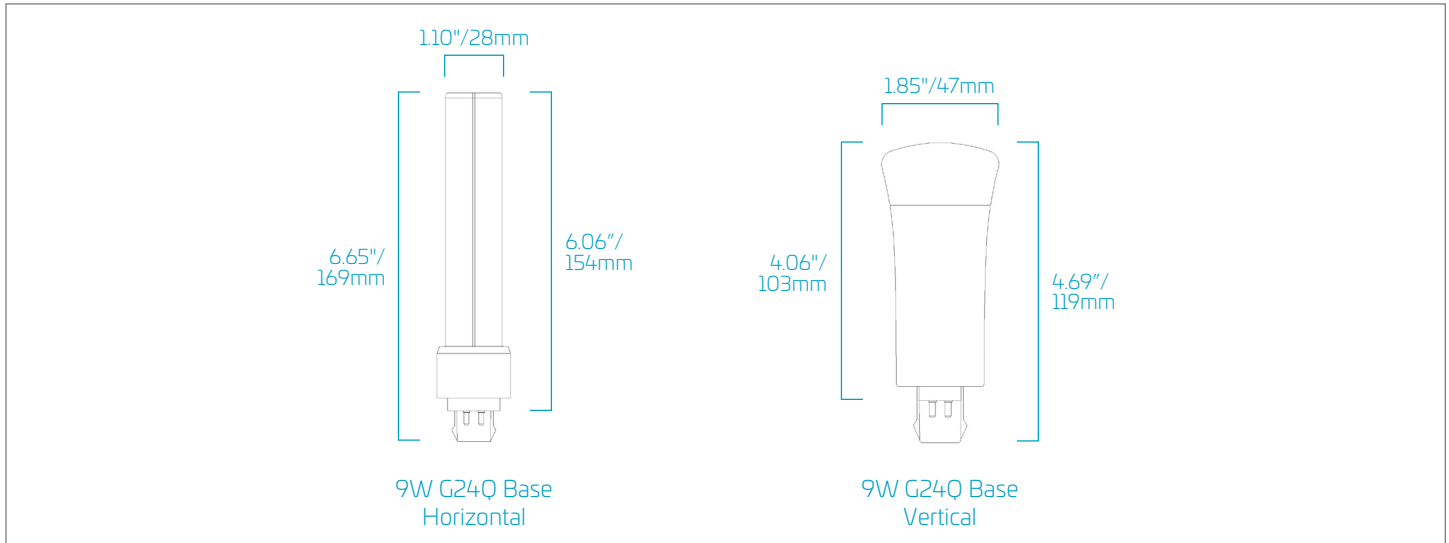
Applications

- Commercial/Residential
- Hotel/Hospitality
- Education
- Healthcare
- Retail
- Property Management



LED Direct PL Replacement Lamps

Dimensions



Ordering Information

Order Code	Item #	W	Lm	CCT	CRI	MOL	Orientation	Base	Bm	Life/Hrs	Replaces Fluorescent
09938	LED9W4PH/827DR-G7	9W	900	2700K	80+	6.65"	Horizontal	G24Q/GX24Q	140°	50K	18-42W CFL
09901	LED9W4PH/830DR-G7	9W	950	3000K	80+	6.65"	Horizontal	G24Q/GX24Q	140°	50K	18-42W CFL
09902	LED9W4PH/835DR-G7	9W	950	3500K	80+	6.65"	Horizontal	G24Q/GX24Q	140°	50K	18-42W CFL
09903	LED9W4PH/840DR-G7	9W	1,000	4000K	80+	6.65"	Horizontal	G24Q/GX24Q	140°	50K	18-42W CFL
09939	LED9W4PV/827DR-G7	9W	900	2700K	80+	4.69"	Vertical	G24Q/GX24Q	140°	50K	18-42W CFL
09940	LED9W4PV/830DR-G7	9W	950	3000K	80+	4.69"	Vertical	G24Q/GX24Q	140°	50K	18-42W CFL
09925	LED9W4PV/835DR-G7	9W	950	3500K	80+	4.69"	Vertical	G24Q/GX24Q	140°	50K	18-42W CFL
09926	LED9W4PV/840DR-G7	9W	1,000	4000K	80+	4.69"	Vertical	G24Q/GX24Q	140°	50K	18-42W CFL

NOTE: Use order code when ordering. Visit eiko.com to view complete ballast compatibility information. Not for use with emergency ballasts.

watch > like > follow



23220 W. 84th St, Shawnee, KS 66227 · (P) 1.800.852.2217 · (F) 1.800.492.8975
 Canada: 81 King St, Barrie, ON L4N 6B5 · (P) 1.888.410.8151 · (F) 1.888.705.1335